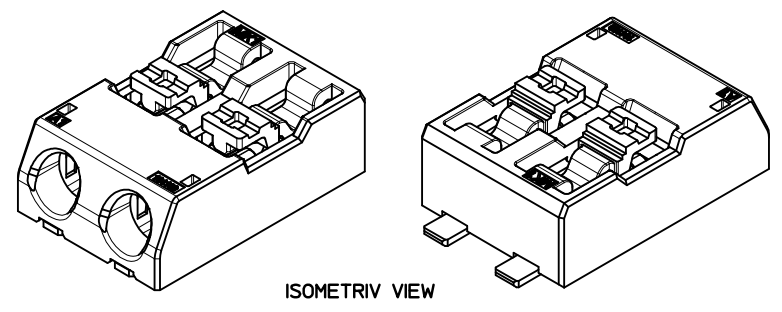
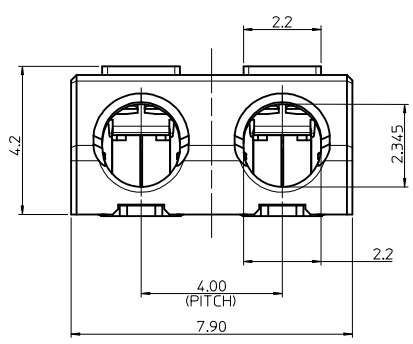
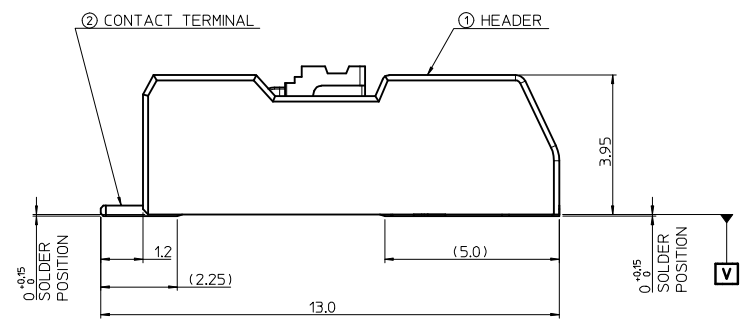
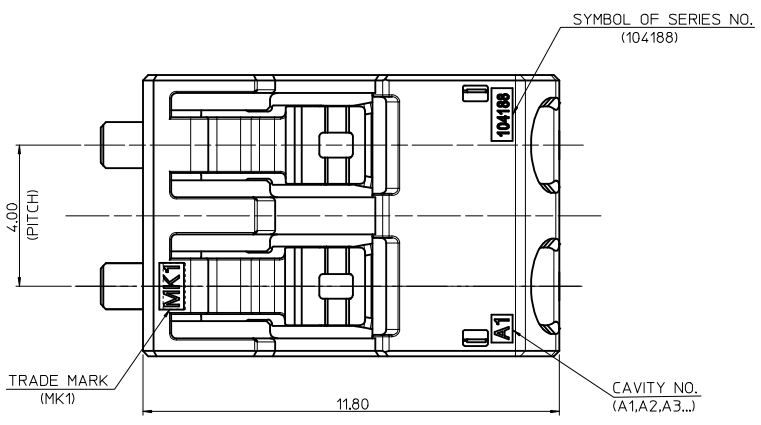
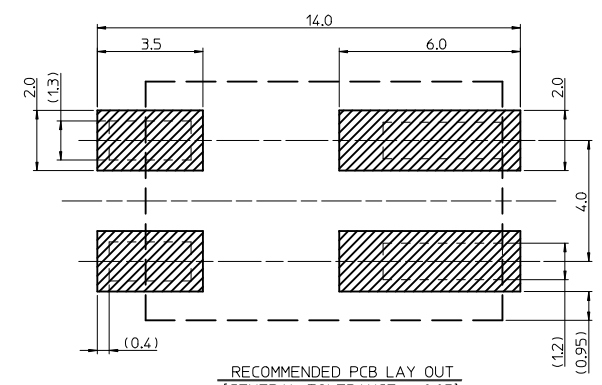


10 9 8 7 6 5 4 3 2 1



ISOMETRIV VIEW

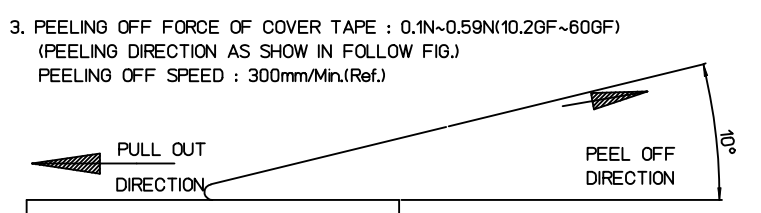
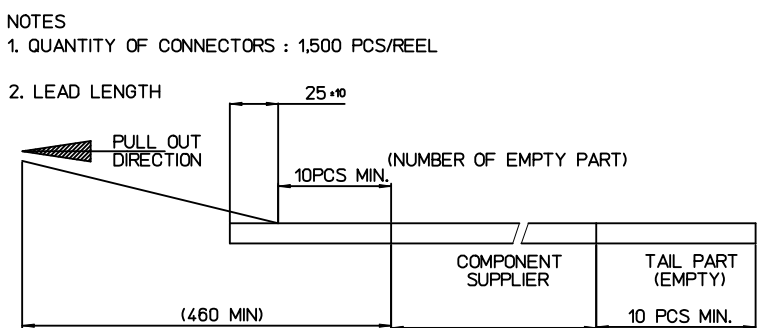
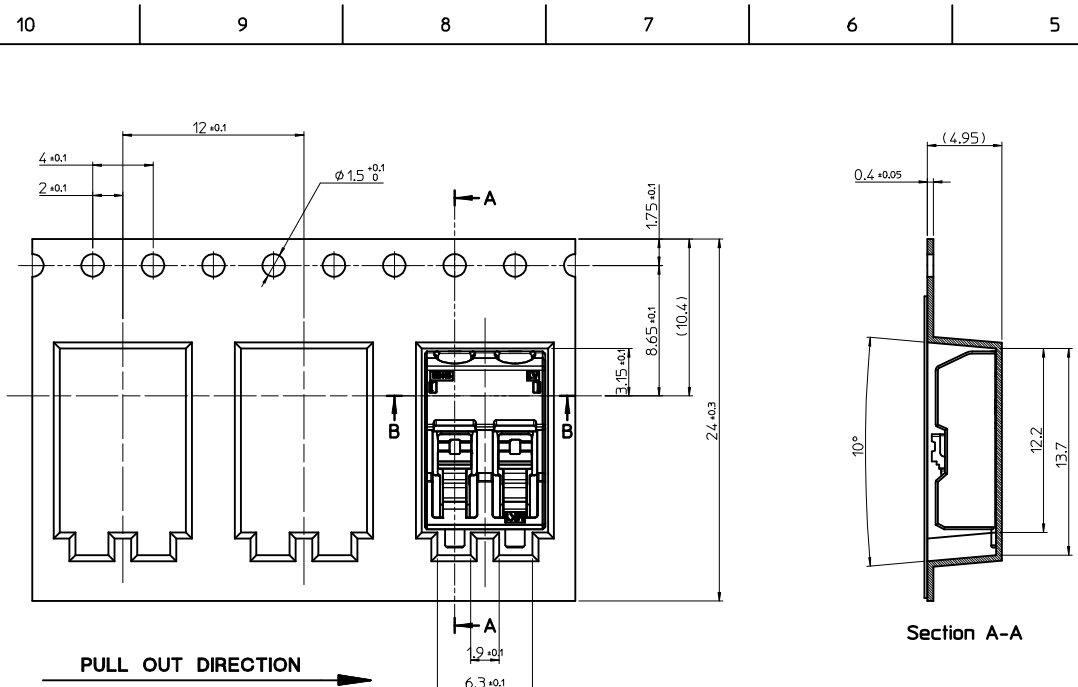


RECOMMENDED PCB LAY OUT
(GENERAL TOLERANCE : ±0.05)

- NOTE
- MATERIAL
 - HEADER : LIQUID CRYSTAL POLYMER(LCP) UL94V-0, HALOGEN FREE, COLOR OF NATURAL
 - CONTACT TERMINAL : COPPER-ALLOY, 0.3mm THICKNESS
 - PLATING
 - CONTACT TERMINAL : TIN -PLATED
 - 1.0μm MINIMUM TIN PLATING
 - PRODUCT SPECIFICATION : PS-104188-001
 - PACKAGING SPECIFICATION : PK-104188-001
 - COPLANALITY OF SOLDER TAILS (PEAK TEMP. : 260°C), BEFORE & AFTER REFLOW : 0.08 MAX.
 - APPLICABLE WIRE RANGE :
 - (OUTSIDE WIRE INSULATION : 2.1mm DIAMETER MAX.)
 - SOLID WIRE : AWG #24~#18
 - STRAND WIRE : AWG #22~#20

PRELIMINARY REVISED EC NO: KOR2014-0075 DRWN: JSSHIN 2013/12/24 CHKD: SHCHU 2013/12/24 APPR: YSKIM02 2013/12/24	DESCRIPTION A	QUALITY SYMBOLS	GENERAL TOLERANCES (UNLESS SPECIFIED)	DIMENSION STYLE	SCALE	DESIGN UNITS	THIRD ANGLE PROJECTION
		▽=0 □=0	mm INCH 4 PLACES ± --- ± --- 3 PLACES ± --- ± --- 2 PLACES ± 0.15 ± --- 1 PLACE ± 0.20 ± --- 0 PLACE ± --- ± ---	MM ONLY	7:1	METRIC	
		ANGULAR ± 1 ° DRAFT WHERE APPLICABLE MUST REMAIN WITHIN DIMENSIONS	DRAWN BY DATE JSSHIN 2013/03/11 CHECKED BY DATE SHCHU 2013/03/11 APPROVED BY DATE YSKIM02 2013/12/24	TITLE	LITE-TRAP™ SMT CONNECTOR, 2 CIRCUITS		
			MATERIAL NO. 1041880210	DOCUMENT NO. SD-104188-003	molex		SHEET NO. 1 OF 1

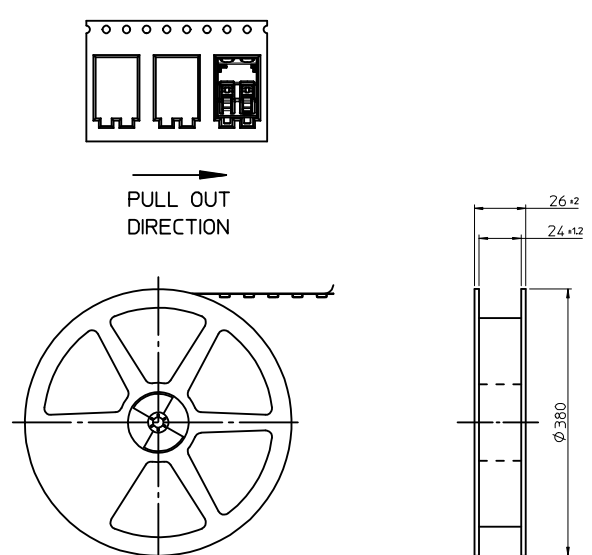
9 8 7 6 5 4 3 2 1



- NOTES
1. QUANTITY OF CONNECTORS : 1500 PCS/REEL
 2. LEAD LENGTH
 3. PEELING OFF FORCE OF COVER TAPE : 0.1N~0.59N(10.2GF~60GF)
(PEELING DIRECTION AS SHOW IN FOLLOW FIG.)
PEELING OFF SPEED : 300mm/Min.(Ref.)
 4. FLASH IN ANY PORTION SHOULD BE LESS THAN 0.20mm MAX.
 5. UNLESS OTHERWISE SPECIFIED INNER R0.2 MAX

[TABLE]

1041880210	104188-0210	NATURAL	24.0mm	104188-9002
MATERIAL NO.	NO.	COLOR	TAPE WIDTH	EMBOSS TAPE
	CONNECTOR			



PLASTIC BOBBIN

ENTER DESCRIPTION EC NO: KOR2014-0075 DRWN: JSSHIN 2013/12/21 CHKD: SHCHU 2013/12/21 APPR: YSK1M02 2013/12/24	QUALITY SYMBOLS 	GENERAL TOLERANCES (UNLESS SPECIFIED)		DIMENSION STYLE MM ONLY	SCALE 3/1	DESIGN UNITS METRIC	THIRD ANGLE PROJECTION		
		4 PLACES ± --- ± --- 3 PLACES ± --- ± --- 2 PLACES ± 0.20 ± --- 1 PLACE ± 0.20 ± --- 0 PLACE ± --- ± ---	mm INCH ± --- ± --- ± 0.20 ± --- ± 0.20 ± --- ± --- ± ---	DRAWN BY JSSHIN	DATE 2013/03/12	TITLE S-POKE CONN. -2P LITE-TRAP™ SMT CONN 2CKT EMBOSSED PACKAGE			
		DRAFT WHERE APPLICABLE MUST REMAIN WITHIN DIMENSIONS		CHECKED BY SHCHU	DATE 2013/03/12	molex			
		REV A	DESCRIPTION A	APPROVED BY YSK1M02	DATE 2013/12/24	MATERIAL NO. 1041880210	DOCUMENT NO. SD-104188-004	SHEET NO. 1 OF 1	