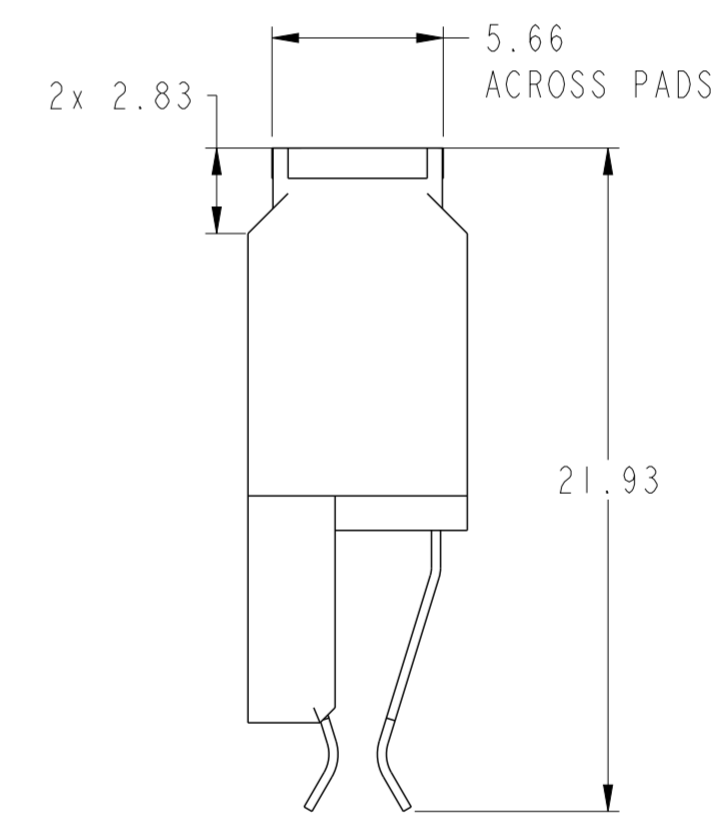
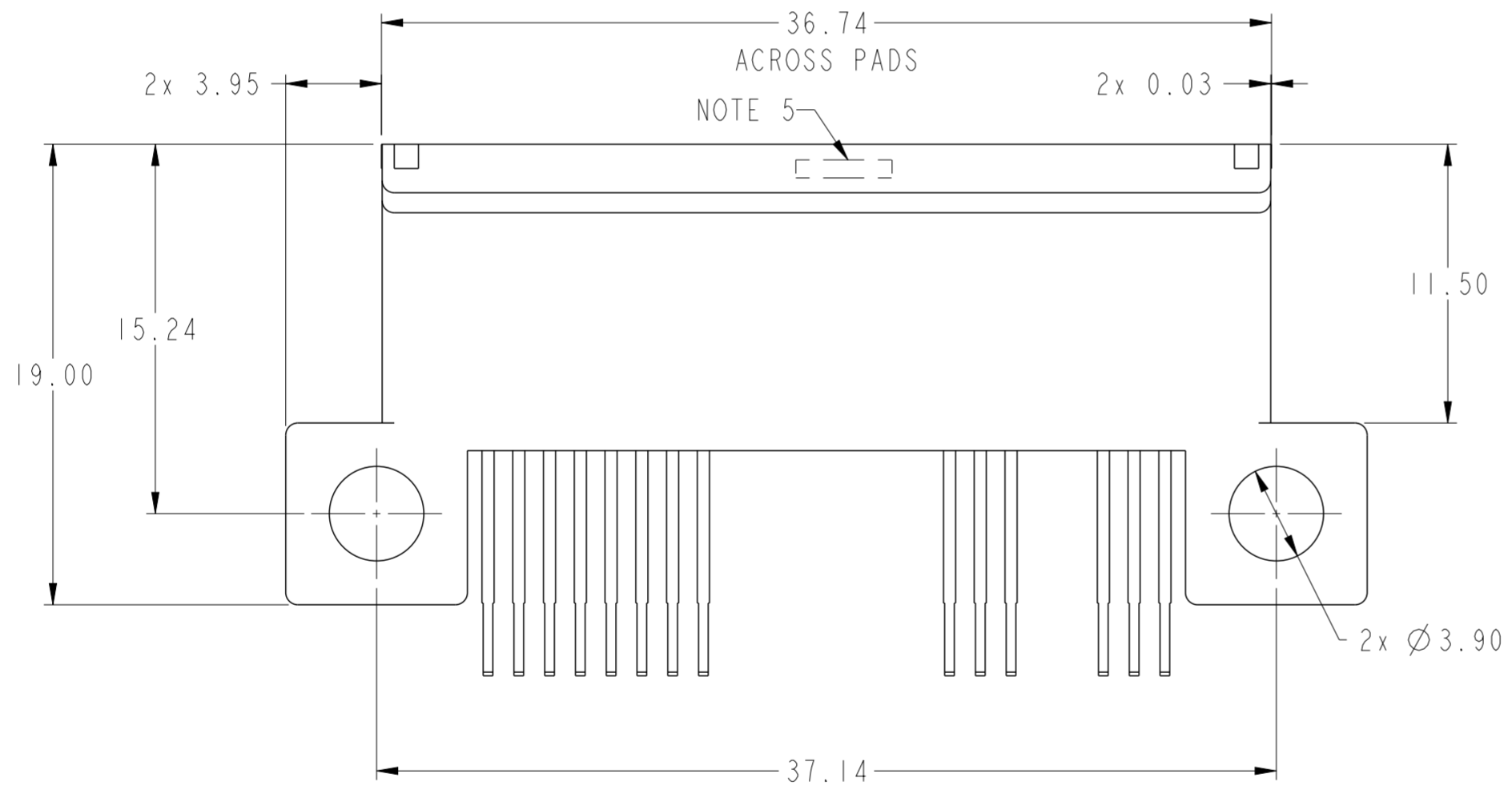


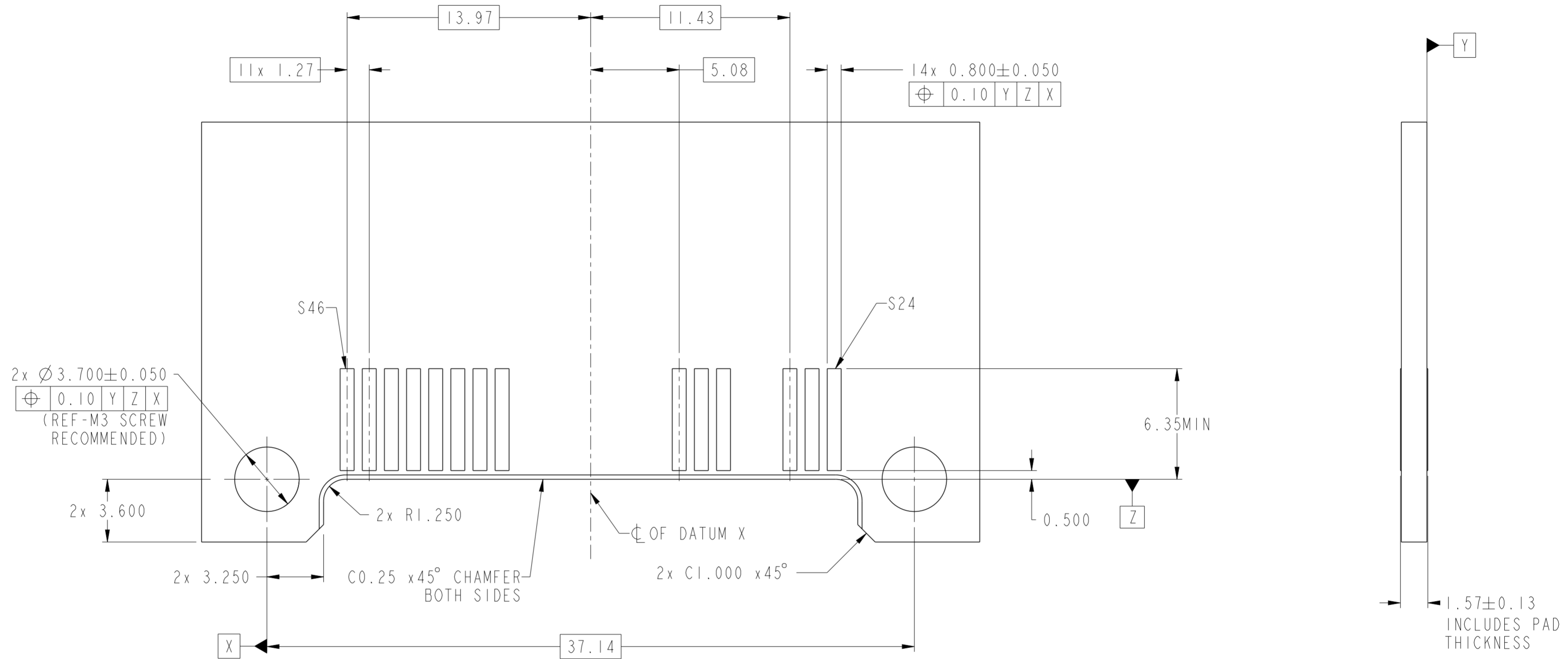
SECTION A-A



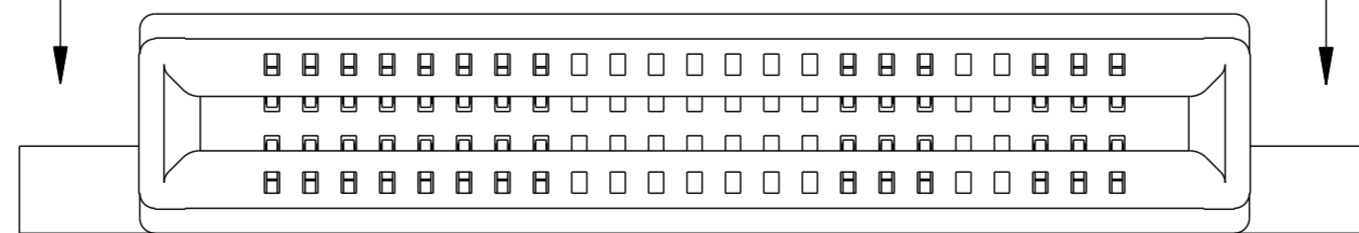
Amphenol
FCi

© 2016 AFci

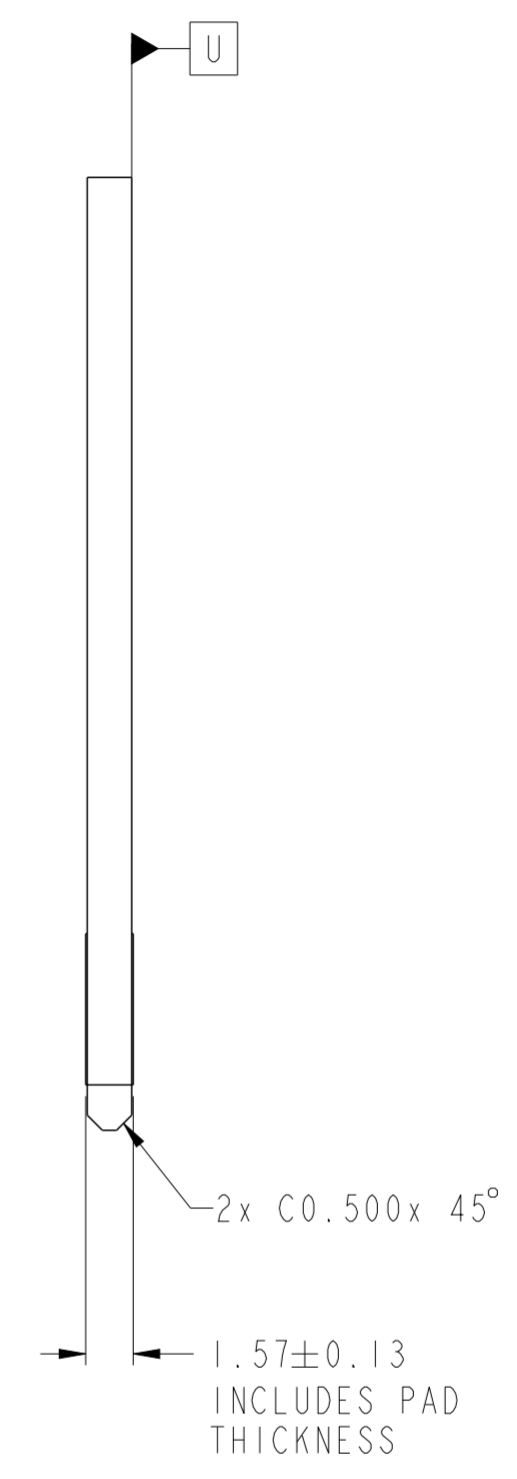
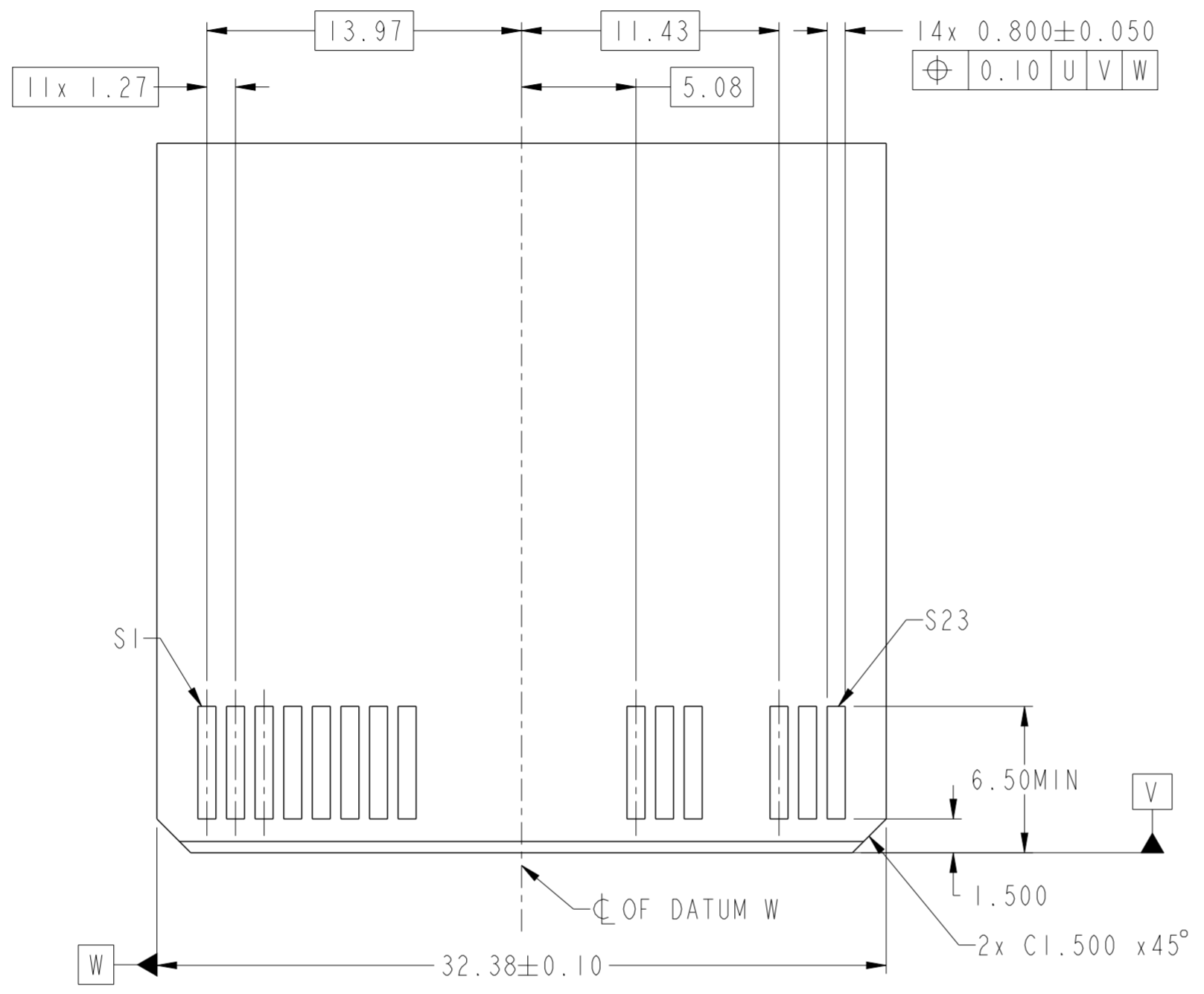
spec ref	-	dr	Julia Wang	2013/11/29	projection	MM	size	A2	scale	4:1			
tolerance std	ISO 406	eng	Sunny2 Liu	2016/05/09		CARD EDGE	ecn no	ELX-DG-24036-1	rel level	Released			
TOLERANCES UNLESS OTHERWISE SPECIFIED		chr	Terris Liu	2016/05/20			product family	SMT ENHANCED WALLS		drg no	10128286	rev	B
surface	ISO 1302	appr	Pai-Ming Zheng	2016/05/24									
linear	0.X ±0.5 0.XX ±0.25 0.XXX ±0.10	angular	0° ±2°	Amphenol FCi		PDS: Rev :B		STATUS:Released		Printed: May 24, 2016			



RECOMMENDED HOST BOARD LAYOUT AS VIEWED



spec ref	-	dr	Julia Wang	2013/11/29	projection	MM	size	A2	scale	4:1	
tolerance std	ISO 406	eng	Sunny2 Liu	2016/05/09		CARD EDGE	ecn no	ELX-DG-24036-1			
TOLERANCES UNLESS OTHERWISE SPECIFIED		chr	Terris Liu	2016/05/20			rel level	Released			
surface	ISO 1302	appr	Pai-Ming Zheng	2016/05/24			product family	SMT ENHANCED WALLS			
linear	0.X ±0.5 0.XX ±0.25 0.XXX ±0.10	Amphenol FCI		title		46S (18S OMITTED) SPECIAL		divg no	10128286		
angular	0° ±2°	cat. no.		Product - Customer Drw		sheet 2 of 4		rev	B		



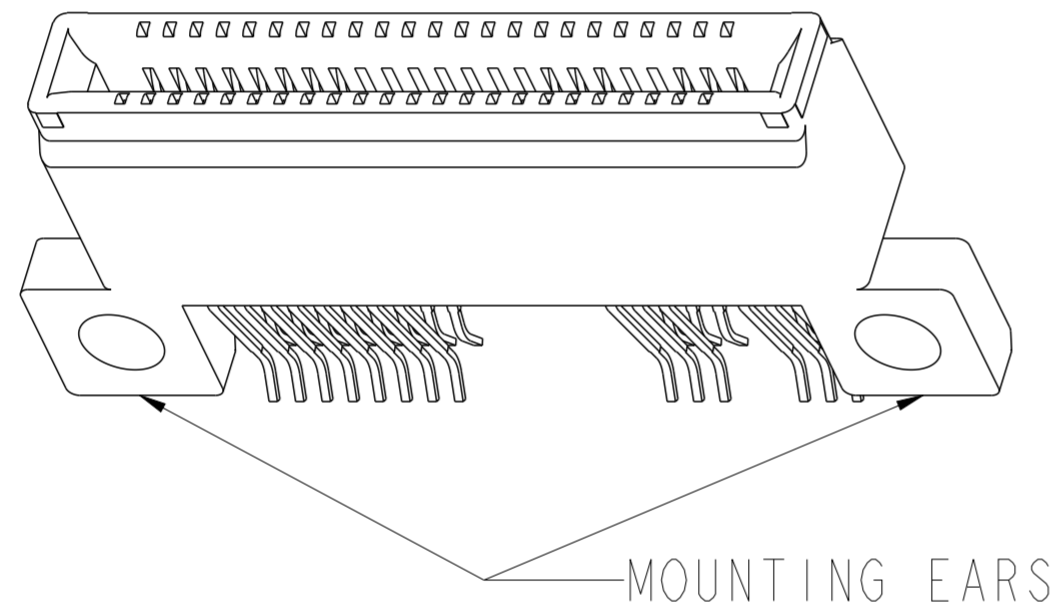
RECOMMENDED MATING BOARD FOOTPRINT

Amphenol FCI

© 2016 AFCI



spec ref	-	dr	Julia Wang	2013/11/29	projection	MM	size	A2	scale	4:1	
tolerance std	ISO 406	eng	Sunny2 Liu	2016/05/09			ecn no	ELX-DG-24036-1			
TOLERANCES UNLESS OTHERWISE SPECIFIED		chr	Terris Liu	2016/05/20			rel level	Released			
surface	ISO 1302	appr	Pei-Ming Zheng	2016/05/24	product family	-	cat. no.	SMT ENHANCED WALLS		rev	B
linear	0.X ±0.5	Amphenol FCI		46S (18S OMITTED) SPECIAL		dwg no	10128286		Product - Customer Drw		sheet 3 of 4
angular	0° ±2°	PDS: Rev :B		STATUS:Released		Printed: May 24, 2016					

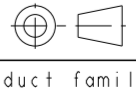
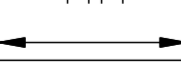
PART NUMBER	MOUNTING EARS
10128286-001LF	YES
10128286-002LF	NO



Example: 10128286-001LF

NOTES:

- CONNECTOR MATERIALS:
 HOUSING: HIGH TEMPERATURE THERMAL PLASTIC, BLACK
 UL 94V-0 COMPLIANT
 CONTACTS: HIGH PERFORMANCE COPPER ALLOY.
- CONTACT FINISH REF. GS-12-604 SECTION 5.2.
- PRODUCT SPECIFICATION: GS-12-604.
- APPLICATION SPECIFICATION: GS-20-128.
-  PRODUCT MARKING ON HOUSING IN AREA SHOWN MEETS AFCI SPECIFICATION: GS-24-007.
- PACKAGING MEETS FCI SPECIFICATION GS-14-937.
- HOUSING COMPONENT WILL WITHSTAND EXPOSURE TO 260°C PEAK TEMPERATURE FOR 60 SECONDS IN A CONVECTION, INFRA-RED, OR VAPOR PHASE REFLOW OVEN.
- A SYMBOL  WILL BE NEXT TO ANY DIMENSION, VIEW, OR NOTE WHICH HAS BEEN MODIFIED WITH THE CURRENT DRAWING REVISION.

spec ref	-	dr	Julia Wang	2013/1/29	projection	MM	size	A2	scale	4:1		
tolerance std	ISO 406	eng	Sunny2 Liu	2016/05/09			ecn no	ELX-DG-24036-1				
TOLERANCES UNLESS OTHERWISE SPECIFIED		chr	Terris Liu	2016/05/20			product family	CARD EDGE	rel level	Released		
surface	ISO 1302	appr	Pei-Ming Zheng	2016/05/24			SMT ENHANCED WALLS		cat. no.	10128286	rev	B
					linear	0.X	±0.5					
						0.XX	±0.25					
						0.XXX	±0.10					
					angular	0°	±2°					