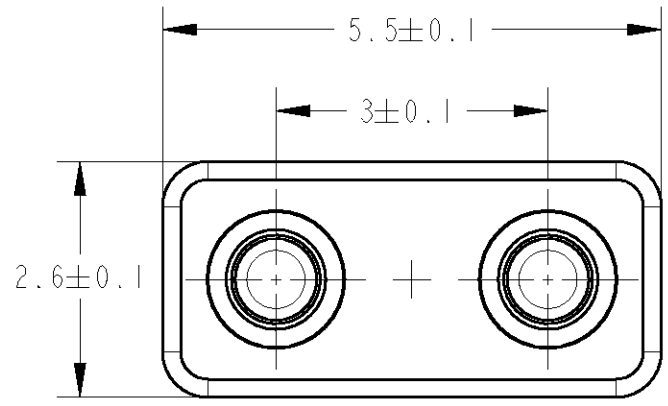
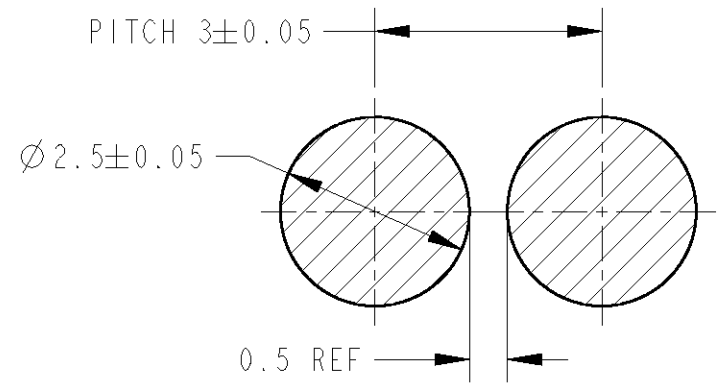


THIS DRAWING IS UNPUBLISHED. RELEASED FOR PUBLICATION 2004MAR  
 © COPYRIGHT 2004 BY TYCO ELECTRONICS CORPORATION. ALL RIGHTS RESERVED.

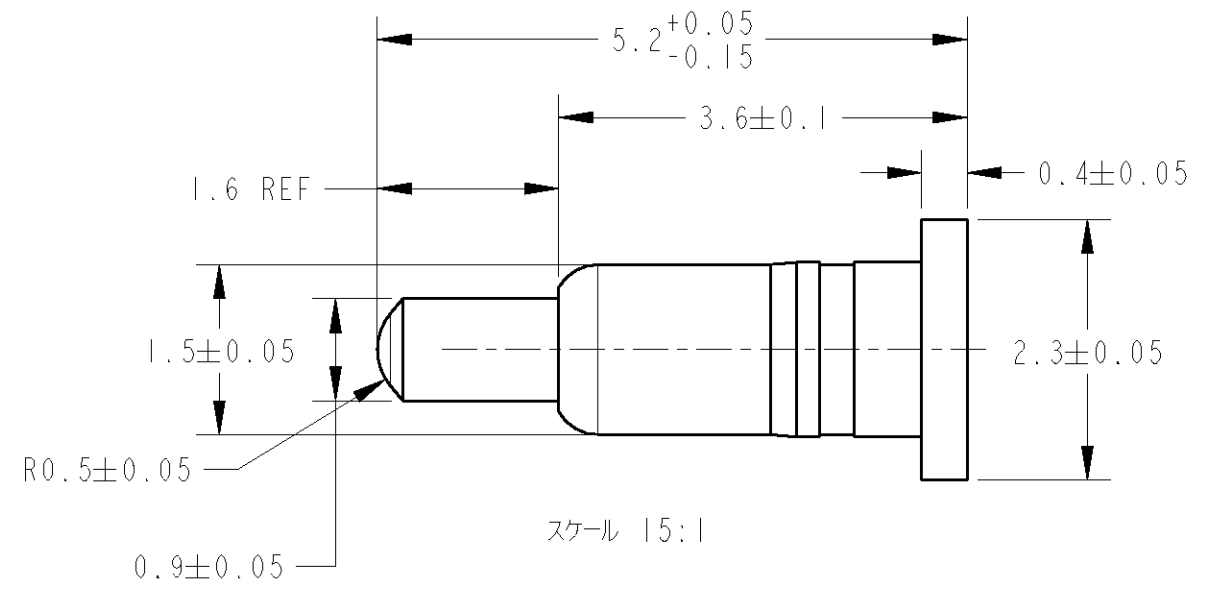
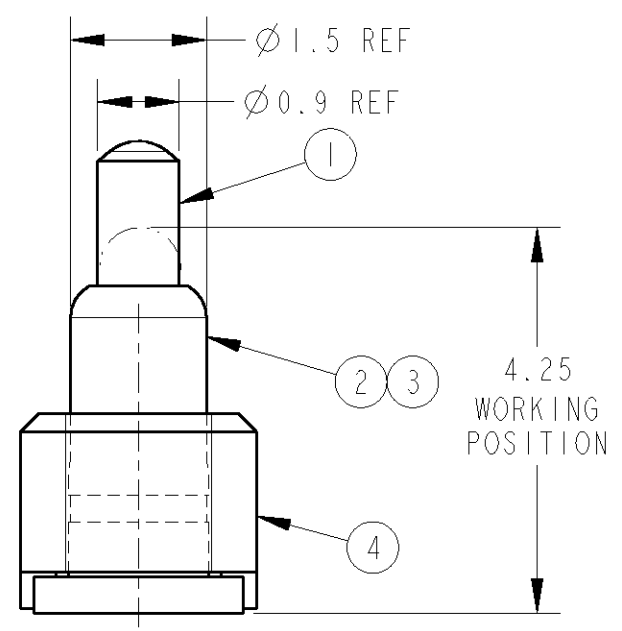
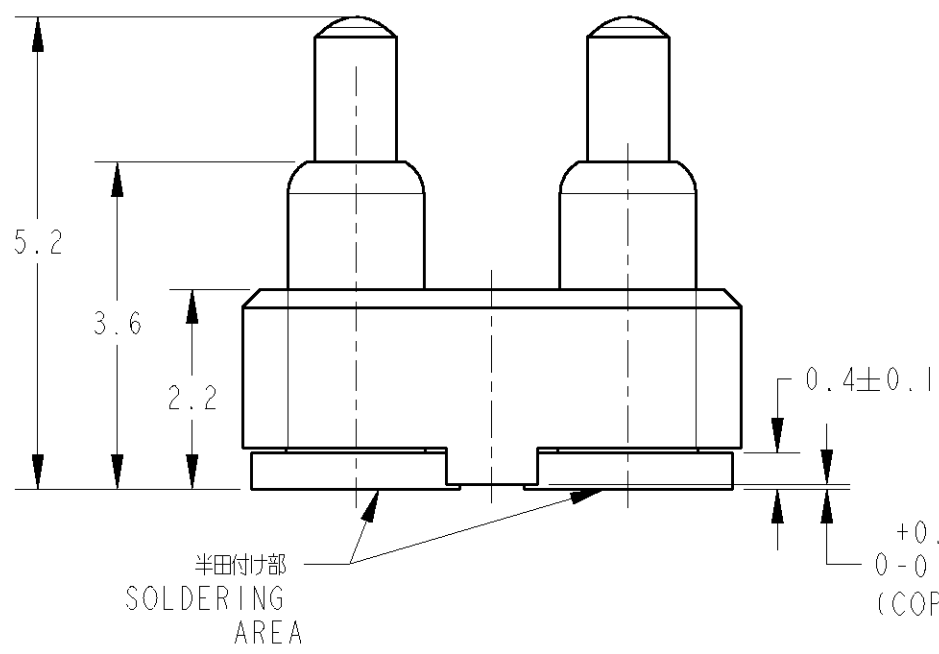
LOC	DIST	REVISIONS					
		P	LTR	DESCRIPTION	DATE	DWN	APVD
J	-		A	RELEASED	25DEC07	Y.H	Y.N



参考基板パターン寸法  
 REFERENCE  
 DIMENSION OF PATTERN

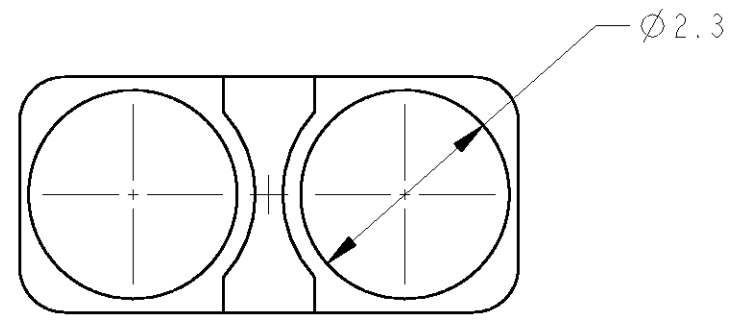
PROBE PIN ASSY	(2)	—	—	—
① CONTACT PIN	2	BRASS	Ni: 3~4µm Au: 0.5µmMIN	—
② TUBE	2	BRASS	Ni: 1.4~3.0µm Au: 0.1~0.4µm	—
③ SPRING	2	SWP	Ni: 1~2µm Au: 0.1µmMIN	—
④ HOUSING	1	NYLON	—	UL94V-0 BLACK
COMPONENT ITEM	QTY	MATERIAL	FINISH	—

- 1; 本図  
 - 1; AS SHOWN



スケール 15:1

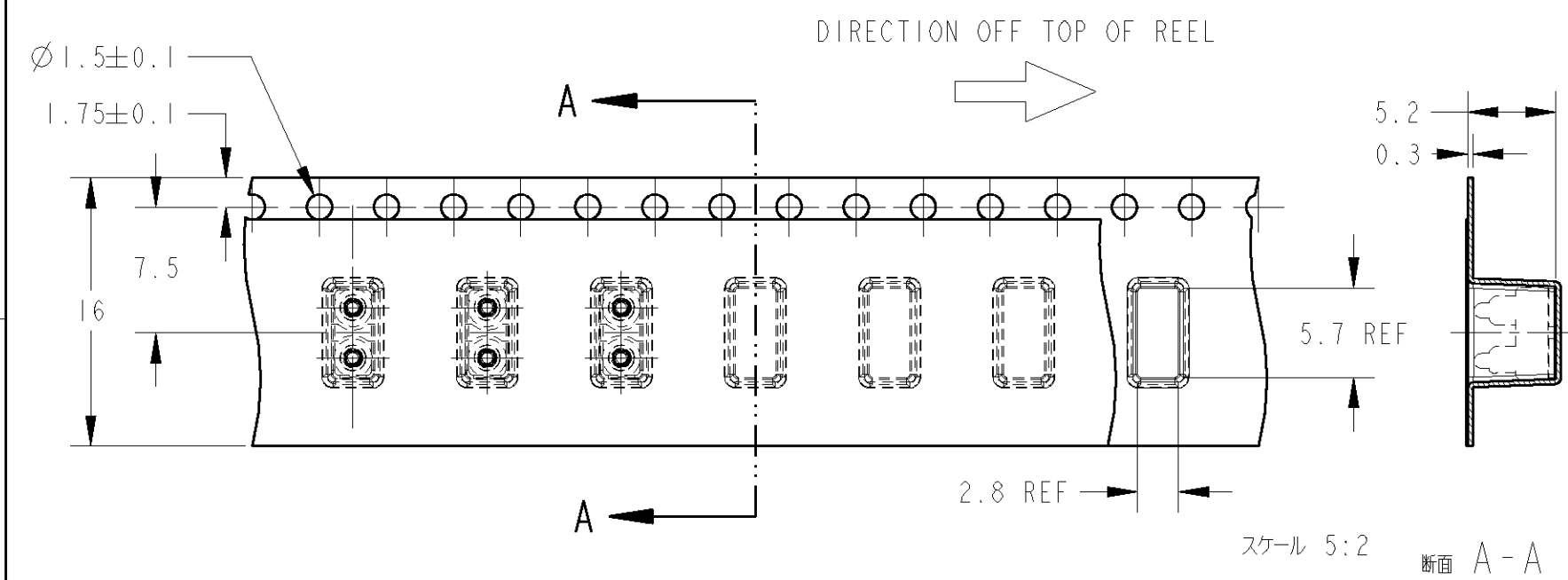
- 1 1000EA/REEL
- 2. CONTACT FORCE 1.0±0.2N / 0.9mm



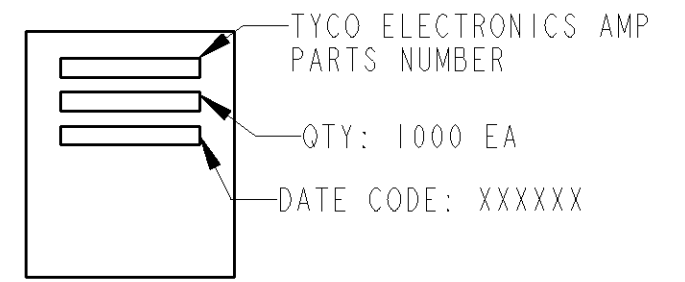
THIS DRAWING IS A CONTROLLED DOCUMENT FOR TYCO ELECTRONICS CORPORATION IT IS SUBJECT TO CHANGE AND THE CONTROLLING ENGINEERING ORGANIZATION SHOULD BE CONTACTED FOR THE LATEST REVISION.		DWN Y. HARADA 25DEC2007 CHK C. OHASHI 25DEC2007 APVD Y. NAKAZAWA 25DEC2007		<b>tyco</b> <b>Electronics</b>		Tyco Electronics Corporations Kawasaki, Japan	
DIMENSIONS: 単位: 概 mm		TOLERANCES UNLESS OTHERWISE SPECIFIED: 一般公差 ±0.1 0-PLC ± 1-PLC ±0.5 2-PLC ±0.13 3-PLC ±0.013 4-PLC ±0.0001 ANGLES ±3		PRODUCT SPEC 製品規格 108-5989		NAME 名称 SPRING PROBE CONNECTOR 2POS SMT SPEAKER	
MATERIAL 材料 SEE TABLE		FINISH 仕上 SEE TABLE		APPLICATION SPEC 取付適用規格 -		WEIGHT 0.04g	
CUSTOMER DRAWING				SIZE A3 CAGE CODE 00779 DRAWING NO 1871540		RESTRICTED TO -	
SCALE 12:1				SHEET 1 OF 2		REV A	

THIS DRAWING IS UNPUBLISHED. RELEASED FOR PUBLICATION 2004MAR  
 © COPYRIGHT 2004 BY TYCO ELECTRONICS CORPORATION. ALL RIGHTS RESERVED.

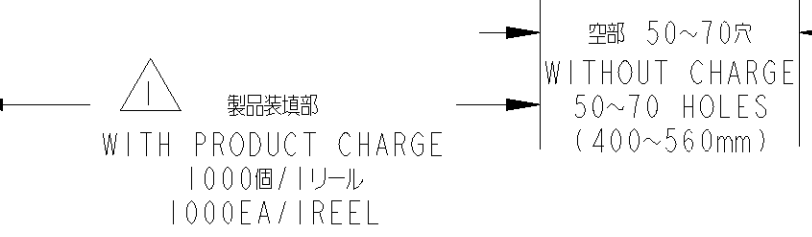
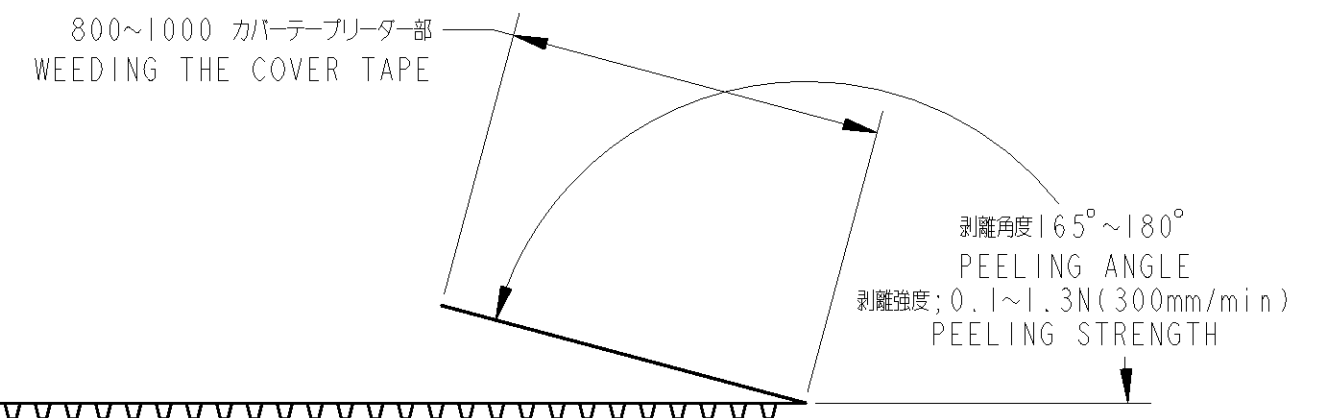
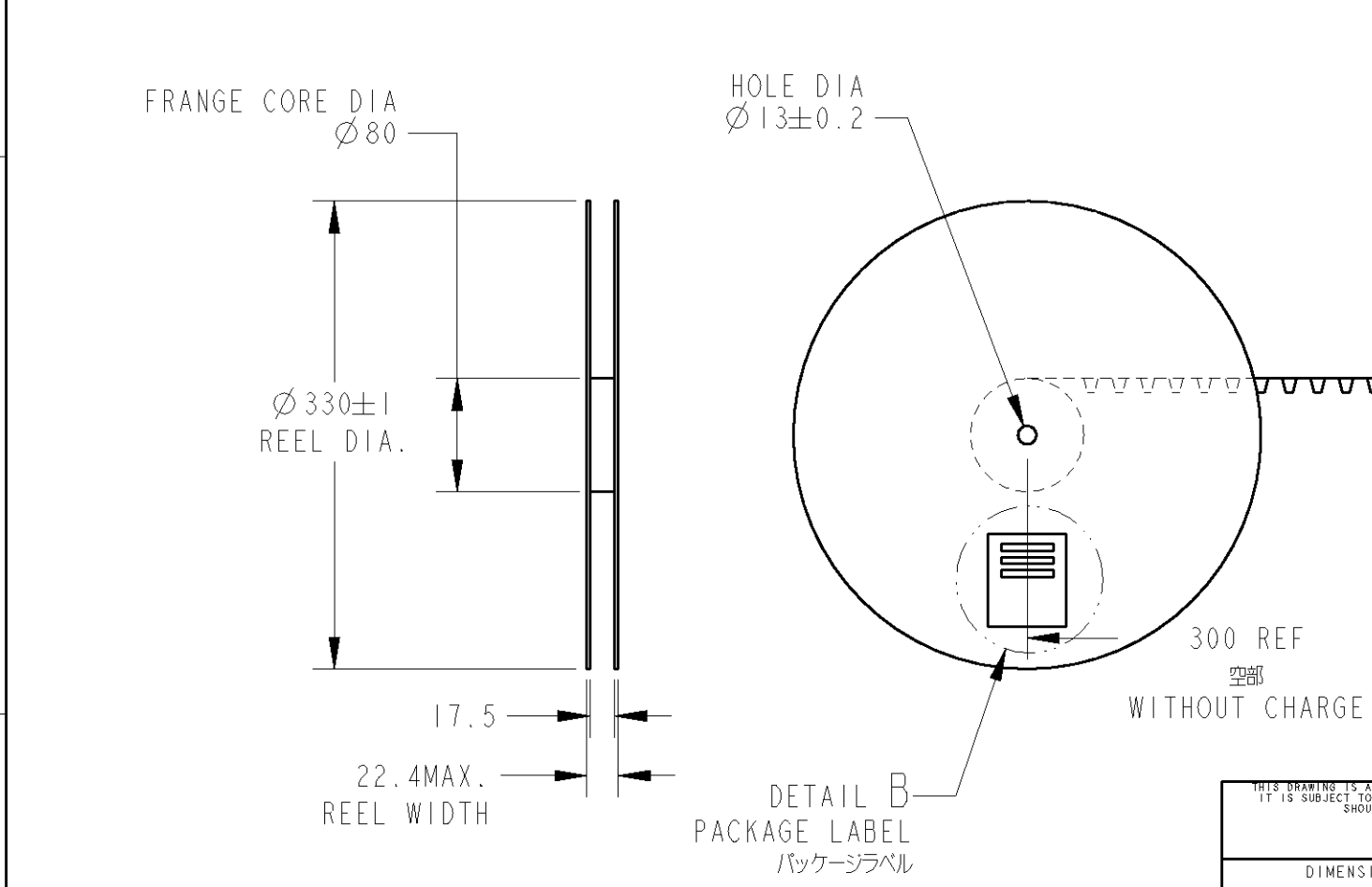
LOC	DIST	REVISIONS			
P	LTR	DESCRIPTION	DATE	DWN	APVD
J	-	SEE SHEET 1	-	-	-



- | ; AS SHOWN  
 - | ; 本図



DETAIL B  
 PACKAGE LABEL  
 BASED ON EIAJ-C3  
 パッケージラベル  
 EIAJ-C3に準拠



DETAIL B  
 PACKAGE LABEL  
 パッケージラベル

THIS DRAWING IS A CONTROLLED DOCUMENT FOR TYCO ELECTRONICS CORPORATION IT IS SUBJECT TO CHANGE AND THE CONTROLLING ENGINEERING ORGANIZATION SHOULD BE CONTACTED FOR THE LATEST REVISION.		DWN Y. HARADA 25DEC2007	 Tyco Electronics Corporations Kawasaki, Japan
DIMENSIONS: mm		CHK C. OHASHI 25DEC2007	
TOLERANCES UNLESS OTHERWISE SPECIFIED: $\pm 0.15$		APVD Y. NAKAZAWA 25DEC2007	
0-PLC $\pm$ 1-PLC $\pm 0.5$ 2-PLC $\pm 0.13$ 3-PLC $\pm 0.013$ 4-PLC $\pm 0.0001$ ANGLES $\pm 3$		PRODUCT SPEC 108-5989	
MATERIAL SEE TABLE	FINISH SEE TABLE	APPLICATION SPEC -	NAME SPRING PROBE CONNECTOR 2POS SMT SPEAKER
		WEIGHT 0.04g	SIZE A3 CAGE CODE 00779 DRAWING NO C-1871540 RESTRICTED TO -
		CUSTOMER DRAWING	SCALE 12:1 SHEET 2 OF 2 REV A