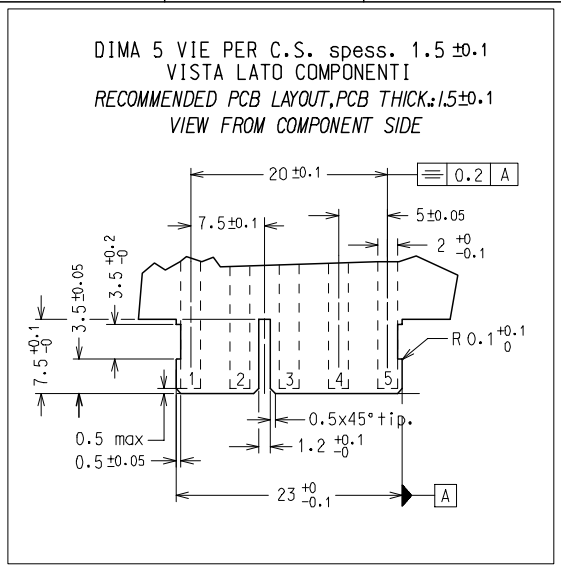
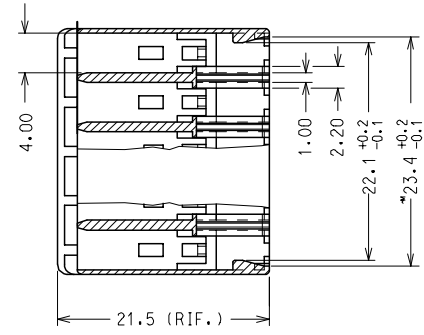
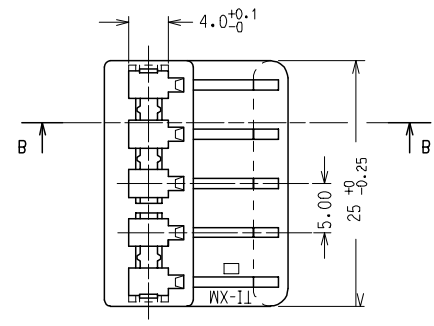
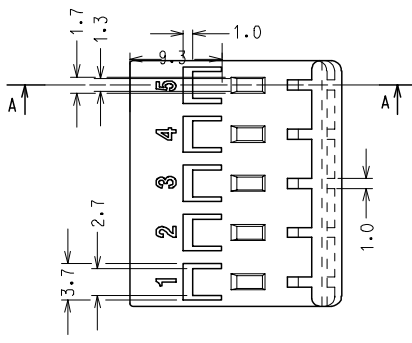
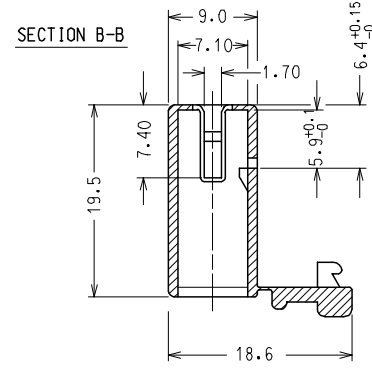
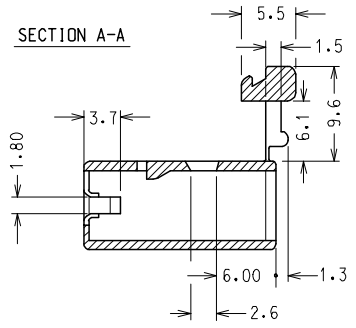


10 9 8 7 6 5 4 3 2 1



NOTA: LE DIMENSIONI VANNO MISURATE CON CORPI STABILIZZATI SECONDO NG 2301. (AUMENTO IN PESO DEL 2.7 %)

NOTE: PARTS SHALL BE DIMENSIONALLY CHECKED AFTER ATTAINING EQUILIBRIUM CONDITIONS E.G. 27 % INCREASE IN WEIGHT FOR HUMIDITY ABSORPTION FROM DRY STATUS.

CARATTERISTICHE PRODOTTO SECONDO PS-94529 PRODUCT CHARACTERISTICS ACCORDING TO PS-94529 E

CONFEZIONE: 4500 PZ. IN SCATOLA PACKAGING: 4500 pcs IN CARTON BOX

CODICE	P/N	MATERIAL
94529-9105		PA 66 NAT. UL94 V2 GWT 850 °C
94529-4105		NYLON 6.6 GWT 750 °C sec. IEC 60335-1 TEST METHOD IEC 60695-2-11 NATURAL

SPQ: 4500 PZ.

Descr. Std: HSG FOR FORK TERMINAL 5 CKT

ENTER DESCRIPTION EC NO: Z2006-0051 DRWN: FGOTTARDO 2005/10/12 CHKD: ARSANDANO 2005/10/12 APPR: GZUIN 2005/10/14	QUALITY SYMBOLS ▽=0 ▽C=0	GENERAL TOLERANCES (UNLESS SPECIFIED)		DIMENSION STYLE		SCALE	DESIGN UNITS	FIRST ANGLE PROJECTION
				MM ONLY		2:1	METRIC	
				DRAWN BY DATE		TITLE		
				CHECKED BY DATE		5 CKT HOUSING FOR STRAIGHT FORK TERMINAL		
A1	REV	4 PLACES ± --- ± --- 3 PLACES ± --- ± --- 2 PLACES ± 0.1 ± --- 1 PLACE ± 0.2 ± ---		APPROVED BY DATE GZUIN 2000/11/21		MATERIAL NO. DOCUMENT NO. SHEET NO. SEE TABLE SD-94529-023 1 OF 1		
		ANGULAR ± 2 °		MOLEX MOLEX INCORPORATED		THIS DRAWING CONTAINS INFORMATION THAT IS PROPRIETARY TO MOLEX INCORPORATED AND SHOULD NOT BE USED WITHOUT WRITTEN PERMISSION		
		DRAFT WHERE APPLICABLE MUST REMAIN WITHIN DIMENSIONS		SIZE A3				

9 8 7 6 5 4 3 2 1