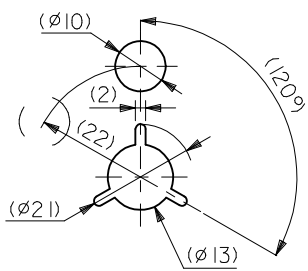
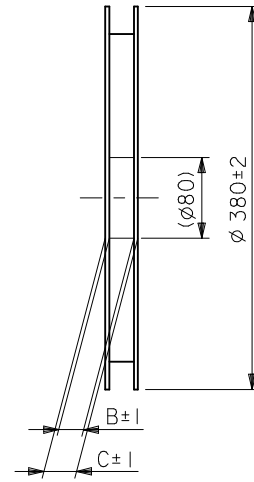
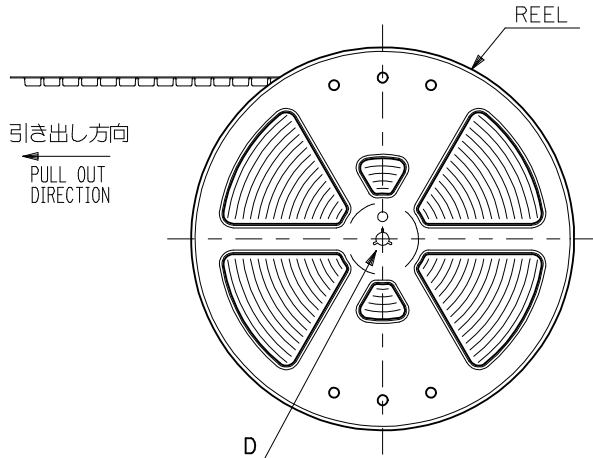


注記 NOTES

1. 使用材料 MATERIAL
 ハウジング: 液晶ポリマー ガラス充填 UL94V-0 茶色
 HOUSING: LIQUID CRYSTAL POLYMER, GLASS FILLED, UL94V-0, COLOR BROWN
 ターミナル: リン青銅 (t=0.15)
 TERMINAL: PHOSPHOR BRONZE (t=0.15)
2. メッキ仕様 PLATING
 金メッキ (コンタクト部)
 GOLD PLATING (CONTACT AREA)
 錫メッキ (テール部)
 TIN PLATING (TAIL AREA)
 下地メッキ: ニッケルメッキ
 UNDER PLATING: NICKEL
- △ テール部に適用。
 APPLY TO THE TAIL AREA.
4. 嵌合相手: 55394 / 503376 シリーズ
 MATE WITH: 55394 / 503376 SERIES.
5. テール平坦度は、0.08以下
 TAIL COPLANARITY TO BE 0.08 MAXIMUM
6. ELV及びRoHS適合品
 ELV AND RoHS COMPLIANT

23.0	23.1	21.6	23.6	54552-1102	54552-1100	110
19.0	19.1	17.6	19.6	54552-0902	54552-0900	90
9.0	9.1	7.6	9.6	54552-0402	54552-0400	40
7.8	7.9	6.4	8.4	54552-0342	54552-0340	34
7.0	7.1	5.6	7.6	54552-0302	54552-0300	30
D	C	B	A	EMBOSSD TAPE	MATERIAL No.	CKT.
				ORDER No. オオーダー番号	MODEL No. :	54552-***0

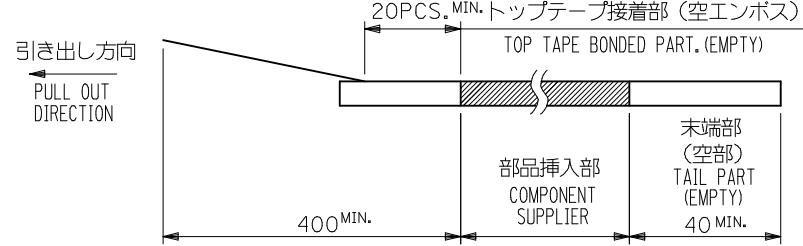
REVISED EC NO: J2009-2156 DRWN: TAKASAKI 2009/03/26 CHKD: THARUYAMA 2009/03/27 APPR: NUKITA 2009/03/30	GENERAL TOLERANCES (UNLESS SPECIFIED)		DIMENSION STYLE MM ONLY		SCALE ---	DESIGN UNITS METRIC	THIRD ANGLE PROJECTION
	10 UNDER	±0.2	DRAWN BY N. AIDA	DATE '05/02/03	TITLE 0.4 B/B CONN RA REC HSG ASSY		
	10 OVER 30 UNDER	±0.25	CHECKED BY K. TOYODA	DATE '05/02/03	APPROVED BY N. UKITA		
	30 OVER	±0.3	DATE '05/02/03	MOLEX INCORPORATED			
DESCRIPTION	ANGULAR ±3 °	MATERIAL NO.	SEE TABLE	DOCUMENT NO.	SD-54552-023		SHEET NO. 1 OF 1
REV	DRAFT WHERE APPLICABLE MUST REMAIN WITHIN DIMENSIONS		SIZE A3	THIS DRAWING CONTAINS INFORMATION THAT IS PROPRIETARY TO MOLEX INCORPORATED AND SHOULD NOT BE USED WITHOUT WRITTEN PERMISSION			



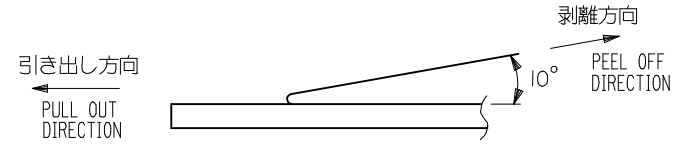
DETAIL D

NOTES

- 製品詳細寸法については SD-54552-023 を参照下さい。
RE DETAILED DIMENSION, SEE SD-54552-023.
- 梱包数量：1500個/リール
NUMBER OF CONNECTORS : 1500PCS/REEL
- リードテープ長さ LEAD TAPE LENGTH



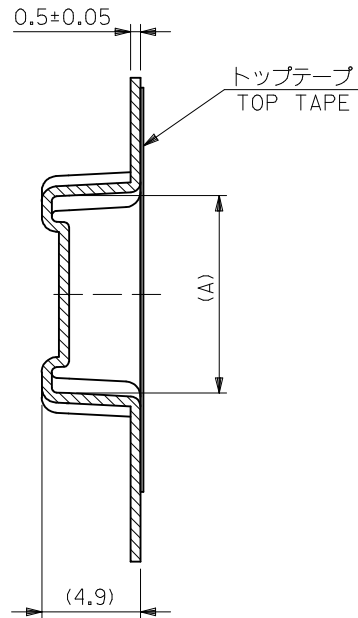
- トップテープの剥離強度：0.1～1.3N {10～130gf} (剥離方向は下図参照)
尚、本規格値は出荷時に適用。(但し、輸送時に剥離が発生しないこと。)
PEELING OFF FORCE OF TOP TAPE : 0.1～1.3N {10～130gf}
(PEELING DIRECTION AS SHOWN IN FOLLOWING FIG.)
THIS REQUIREMENT SHOULD BE APPLIED AT SHIPMENT.
PEEL OFF SHOULD NOT BE ALLOWED , DURING TRANSPORTATION.



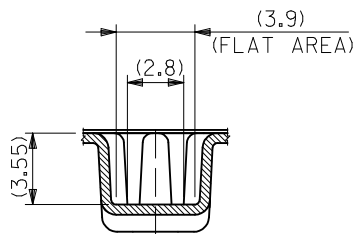
- 材料(MATERIAL)
キャリアテープ (CARRIER TAPE) : ポリプロピレン (POLYPROPYLENE)
トップテープ (TOPTAPE) : PET , PE , PEF
リール (REEL) : ポリスチレン (P S) <リサイクル材を含む>
POLYSTYRENE (PS) <RECYCLE MATERIAL CONTAINED>
- ELV及びRoHS適合品
ELV AND RoHS COMPLIANT

54552-1102	110
54552-0902	90
54552-0402	40
54552-0342	34
54552-0302	30
MATERIAL NO.	極数 CIRCUITS

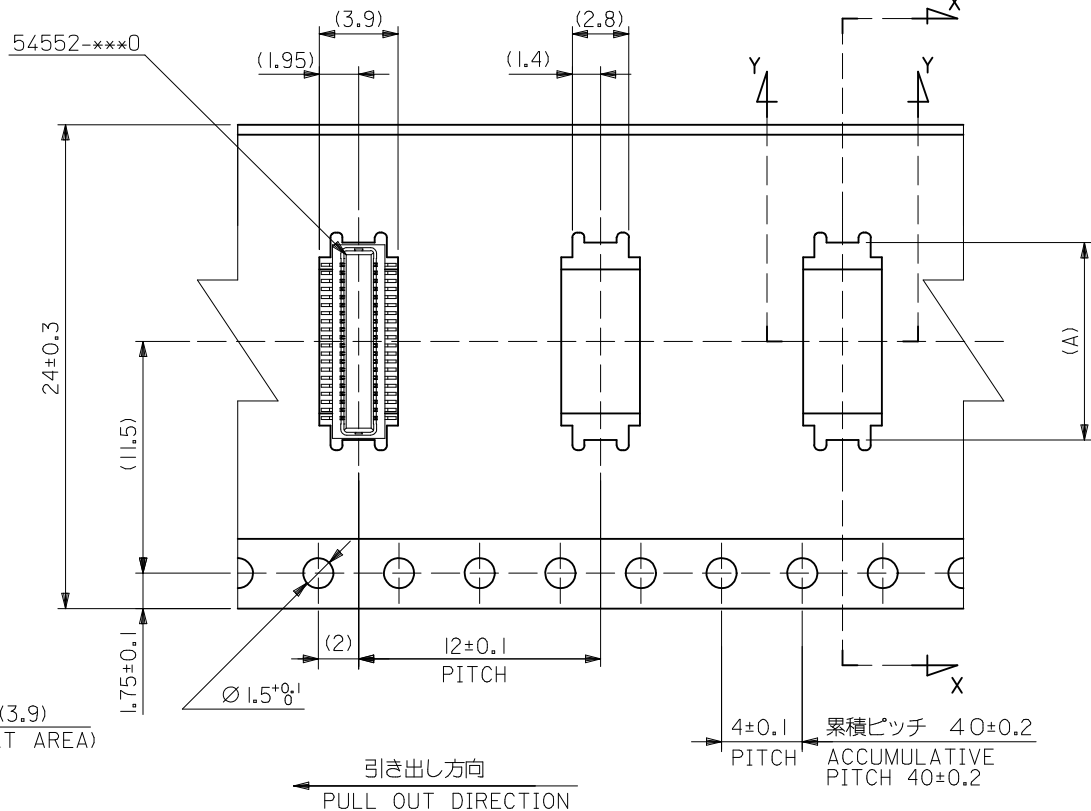
REVISED EC NO: J2009-2156 DRWN: TAKASAKI 2009/03/26 CHKD: THARUYAMA 2009/03/27 APPR: NUKITA 2009/03/30	GENERAL TOLERANCES (UNLESS SPECIFIED)		DIMENSION STYLE MM ONLY		SCALE ---	DESIGN UNITS METRIC	THIRD ANGLE PROJECTION
	10 UNDER	±0.2	DRAWN BY N. AIDA	DATE '05/02/03	TITLE EMBSTP PKG FOR 0.4 B/B CONN RA REC HSG ASSY		
	10 OVER 30 UNDER	±0.25	CHECKED BY K. TOYODA	DATE '05/02/03	MOLEX INCORPORATED		
	30 OVER	±0.3	APPROVED BY N. UKITA	DATE '05/02/03	MATERIAL NO. SEE TABLE	DOCUMENT NO. SD-54552-024	SHEET NO. 1 OF 4
	ANGULAR ±3 °		DRAFT WHERE APPLICABLE MUST REMAIN WITHIN DIMENSIONS		THIS DRAWING CONTAINS INFORMATION THAT IS PROPRIETARY TO MOLEX INCORPORATED AND SHOULD NOT BE USED WITHOUT WRITTEN PERMISSION		



SECT X-X

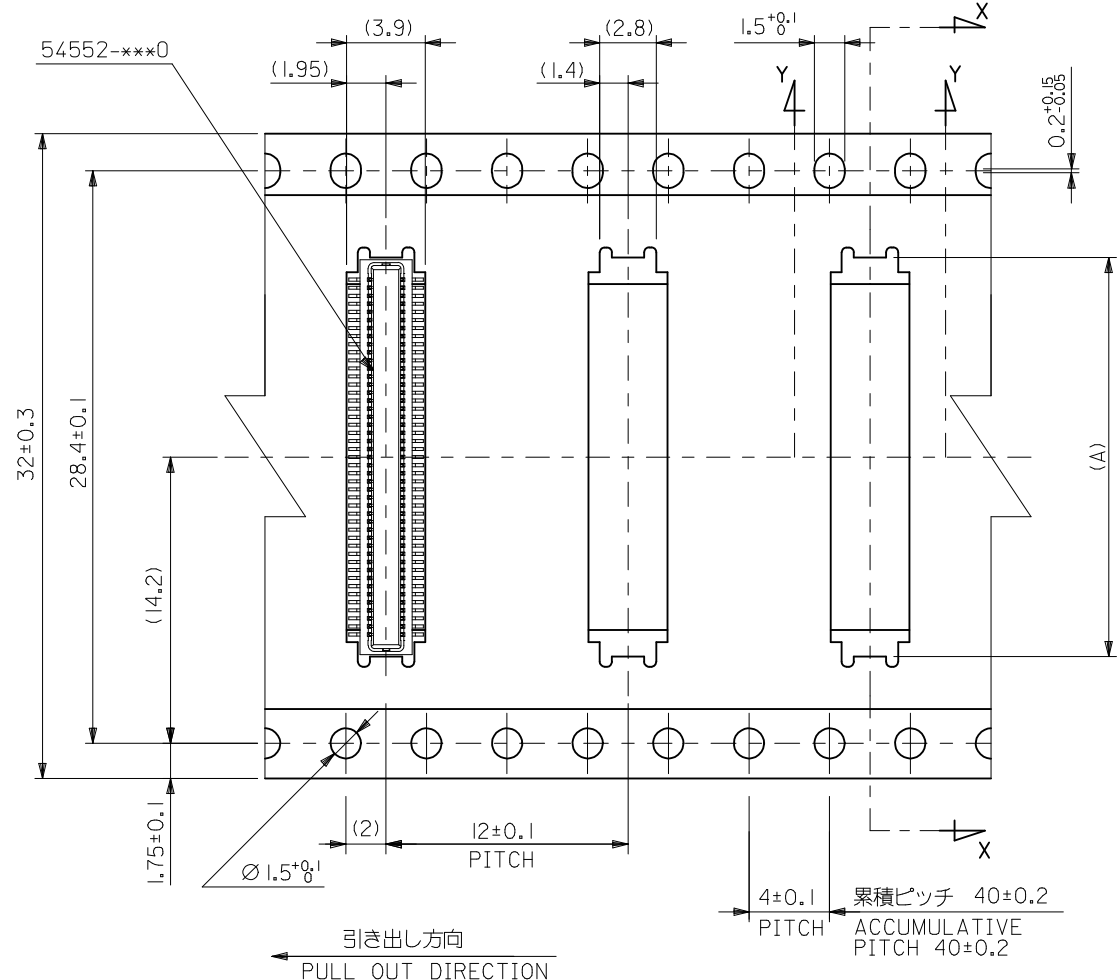
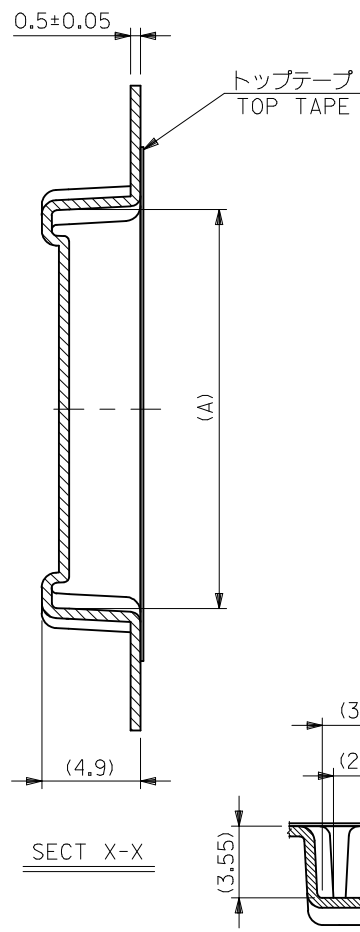


SECT Y-Y



24	29.4	25.4	9.8	54552-0402	40
			8.6	54552-0342	34
			7.8	54552-0302	30
キャリアテープ幅 CARRIER TAPE WIDTH	C	B	(A)	MATERIAL NO.	極数 CIRCUITS

REVISED EC NO: J2009-2156 DRWN: TAKASAKI 2009/03/26 CHKD: THARUYAMA 2009/03/27 APPR: NUKITA 2009/03/30	GENERAL TOLERANCES (UNLESS SPECIFIED)		DIMENSION STYLE MM ONLY		SCALE ---	DESIGN UNITS METRIC	MODEL NO. 54552-***2
	10 UNDER	±0.2	DRAWN BY N. AIDA	DATE '05/02/03	TITLE EMBSTP PKG FOR 0.4 B/B CONN RA REC HSG ASSY		
	10 OVER 30 UNDER	±0.25	CHECKED BY K. TOYODA	DATE '05/02/03	MATERIAL NO.		
	30 OVER	±0.3	APPROVED BY N. UKITA	DATE '05/02/03	DOCUMENT NO. SD-54552-024		
	ANGULAR ±3 °	DRAFT WHERE APPLICABLE MUST REMAIN WITHIN DIMENSIONS		SEE TABLE		SHEET NO. 2 OF 4	
		THIS DRAWING CONTAINS INFORMATION THAT IS PROPRIETARY TO MOLEX INCORPORATED AND SHOULD NOT BE USED WITHOUT WRITTEN PERMISSION					

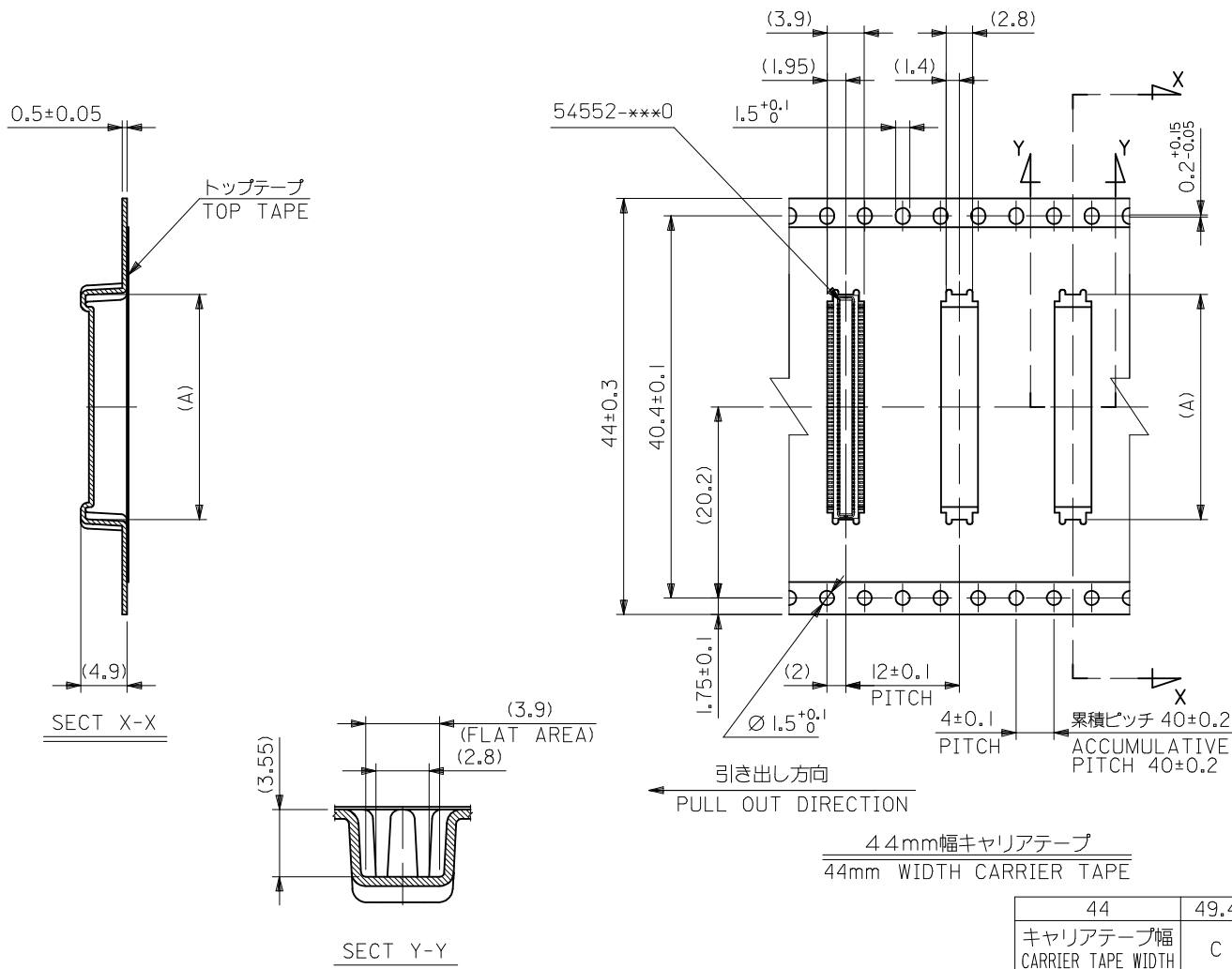


引き出し方向
PULL OUT DIRECTION
32mm幅キャリアテープ
32mm WIDTH CARRIER TAPE

4±0.1 累積ピッチ 40±0.2
PITCH ACCUMULATIVE PITCH 40±0.2

32	37.4	33.4	19.8	54552-0902	90
キャリアテープ幅 CARRIER TAPE WIDTH	C	B	(A)	MATERIAL NO.	極数 CIRCUIT

REVISED EC NO: J2009-2156 DRWN:MTAKASAKI 2009/03/26 CHKD:THARUYAMA 2009/03/27 APPR:NUKITA 2009/03/30	GENERAL TOLERANCES (UNLESS SPECIFIED)		DIMENSION STYLE MM ONLY		SCALE ---	DESIGN UNITS METRIC	MODEL NO. 54552-***2 THIRD ANGLE PROJECTION
	10 UNDER	±0.2	DRAWN BY	DATE	TITLE		
	10 OVER 30 UNDER	±0.25	N. AIDA	'05/02/03	EMBSTP PKG FOR 0.4 B/B CONN RA REC HSG ASSY		
	30 OVER	±0.3	CHECKED BY	DATE	MOLEX INCORPORATED		
	ANGULAR ±3 °	APPROVED BY	DATE	DOCUMENT NO.			SHEET NO.
	DRAFT WHERE APPLICABLE MUST REMAIN WITHIN DIMENSIONS	N. UKITA	'05/02/03	SD-54552-024			3 OF 4
		MATERIAL NO.	SEE TABLE				
		SIZE	THIS DRAWING CONTAINS INFORMATION THAT IS PROPRIETARY TO MOLEX INCORPORATED AND SHOULD NOT BE USED WITHOUT WRITTEN PERMISSION				



44	49.4	45.4	23.8	54552-1102	110
キャリアテープ幅 CARRIER TAPE WIDTH	C	B	(A)	MATERIAL NO.	極数 CIRCUITS

REVISED EC NO: J2009-2156 DRWN:MTAKASAKI 2009/03/26 CHKD:THARUYAMA 2009/03/27 APPR:NUKITA 2009/03/30	GENERAL TOLERANCES (UNLESS SPECIFIED)		DIMENSION STYLE MM ONLY		SCALE ---	DESIGN UNITS METRIC	MODEL NO. 54552-***2
	10 UNDER	±0.2	DRAWN BY N. AIDA	DATE '05/02/03	TITLE EMBSTP PKG FOR 0.4 B/B CONN RA REC HSG ASSY		
	10 OVER 30 UNDER	±0.25	CHECKED BY K. TOYODA	DATE '05/02/03	MATERIAL NO. SD-54552-024		
	30 OVER	±0.3	APPROVED BY N. UKITA	DATE '05/02/03	SHEET NO. 4 OF 4		
	ANGULAR ±3 °	DRAFT WHERE APPLICABLE MUST REMAIN WITHIN DIMENSIONS		SEE TABLE		DOCUMENT NO. SD-54552-024	
		THIS DRAWING CONTAINS INFORMATION THAT IS PROPRIETARY TO MOLEX INCORPORATED AND SHOULD NOT BE USED WITHOUT WRITTEN PERMISSION					