

SUMMARY

Wires

Low	4
High	0
Coax	1
Triax	0
Quad	0
Fiber	0
Fluidic	0

Series	2B
Termination type	Mixed coaxial/ Multi coax
IP rating	50
Cable Ø	4.30 - 5.20 mm
Matching parts	EGG.2B.802.CLL3
Status	
Alternative part	



Image is for illustrative purpose only

Download

[Request a quote](#)

[Catalog](#)

TECHNICAL DETAILS

Mechanics

Shell Style/Model	FG*: Straight plug, cable collet
Keying	1 key (alpha=0, plug: male contacts, receptacle: female contacts)
Housing Material	Brass (chrome plated) shell and collet nut, nickel plated brass latch sleeve and mid pieces
Cable Fixing	D52: 4.3 - 5.2 mm
Variant	

Performance

Configuration	2B.804 : 1 Coax (50 Ohm), 4 Low V.
Insulator	L: PEEK (UL 94 / V-0/3.2, depends on material thickness)
Rated Current	7 Amps

Specifications

Contact Type: Coaxial 50 Ohm (Solder) Type A1
Max. Matings: 1000
Contact Dia.: 0.7 mm (0.028in)
Max. Solid Conductor: 0.5 mm ² (AWG 20)
Max. Stranded Conductor: 0.14 mm ² (AWG 26)
R (max): 3.8 mOhm

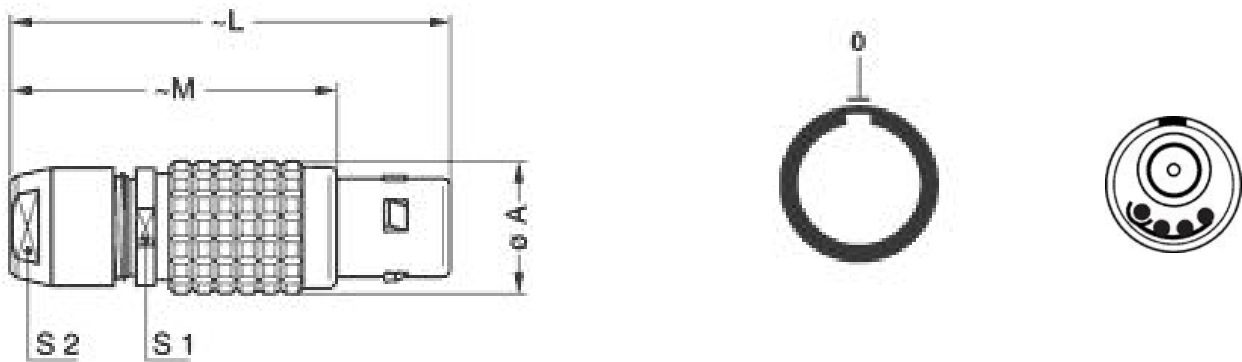
Test voltage (kV rms): 0.75
Test voltage (kV dc): 1.05
Cable type: RG 179 B/U, RG 187 A/U

Others

Temp (min / max): -55°C / +250°C
Humidity (max): <=95% [at 60 deg C / 140 F]
Vibration: 15 g [10 Hz - 2000 Hz]
Shock Resistance: 100 g [6 ms]
Salt Spray Corrosion: >1000 hr
Climatical Category: 50/175/21
Shielding (min): 75 dB (10 MHz)
Shielding (min): 40 dB (1 GHz)
IP Rating: 50

DRAWINGS

Draws



Dimensions

	A	L	M	S1	S2
mm.	15	50	38	13	12
in.	0,59	1,97	1,50	0,51	0,47

RECOMMENDED BY LEMO

Tools

Die Tool: DCP.99.050.TC
Spanner wrench: MTZ.2B.220.120
Caps: BFG.2B.100.PCSG

Cables