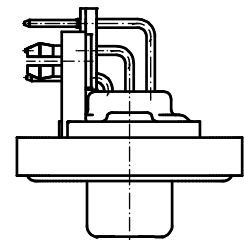
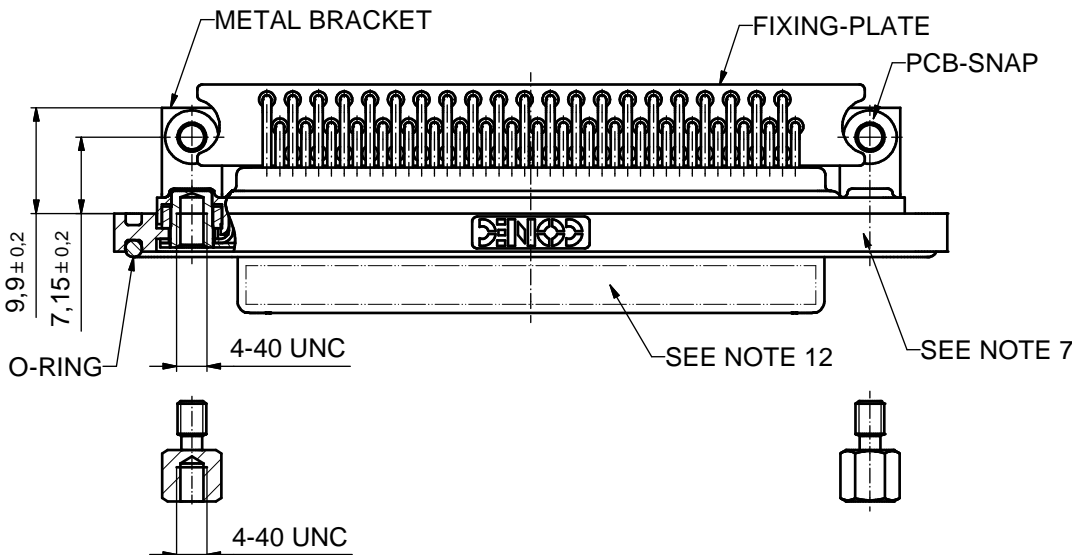
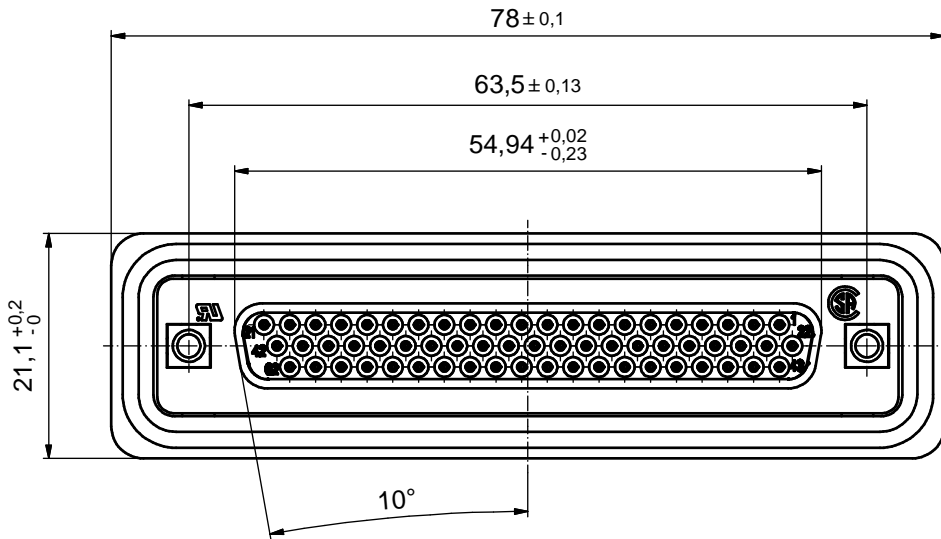
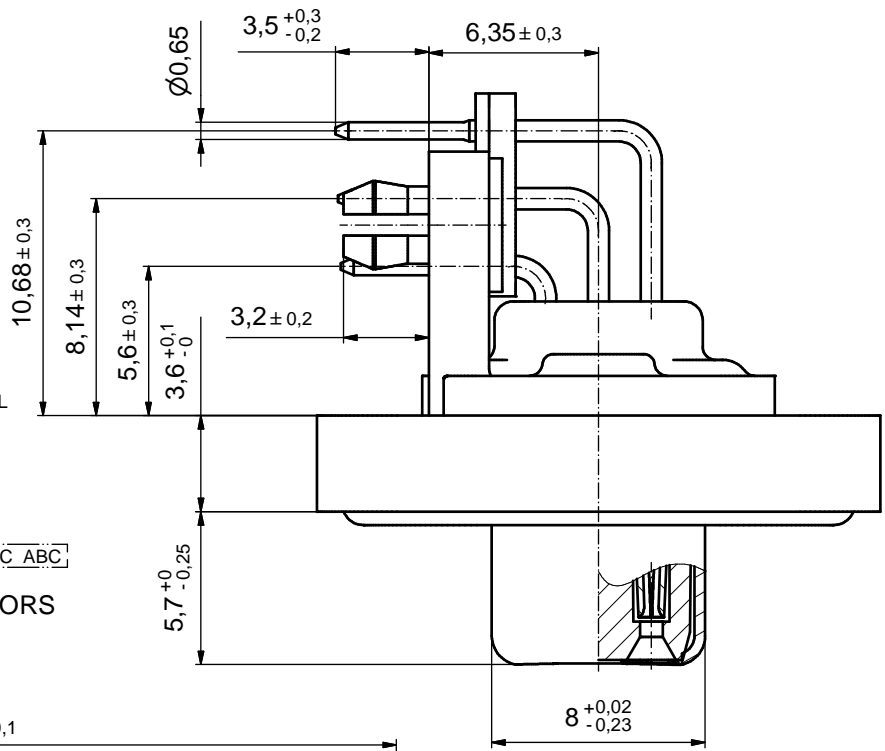


**NOTES:**

1. METALSHELLS: COPPER ALLOY; min. 315µin TIN over 40-80µin NICKEL
2. INSULATORS: PBT GF UL 94 V-0, BLACK
3. SIGNAL CONTACTS: COPPER ALLOY  
PLATING: 8µin HARD GOLD over min. 50µin NICKEL
4. METAL BRACKET: ZINC DIE CAST; 300µin COPPER/ 40-120µin NICKEL/120-200µin TIN
5. THREADED INSERT: COPPER ALLOY; min. 200µin TIN over 80µin NICKEL
6. HEXLOCKING SCREW: STAINLESS STEEL
7. FRAME: ZINC DIE CAST; NICKEL PLATED
8. FIXING-PLATE: PBT GF UL 94 V-0; BLACK
9. PCB-SNAP: COPPER ALLOY; min.200µin TIN over 80µin NICKEL  
PCB-HOLE:  $\phi 3.1 \pm 0.1$ ; PCB THICKNESS 1.6mm
10. PCB HOLE DRILLINGS ON SHEET 2
11. RECOMMENDED TORQUE FOR MOUNTING SCREW 35N cm (3.1 in.LB) / max.40 Ncm (3.5 in.LB)
12. CONNECTOR IS PART MARKED: 6HDD62SAY99R40X CONEC ABC

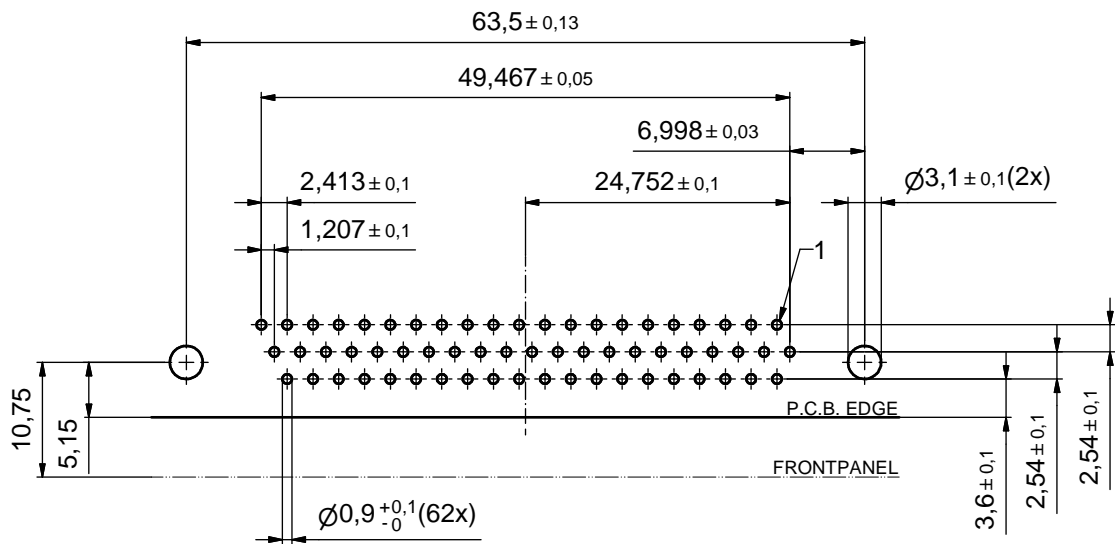
AT ALL TIMES WATER RESISTANT CONNECTORS NOT IN USE SHOULD BE COVERED WITH A CONEC WATER RESISTANT CAP OR WATER TIGHT HOOD.



APPROVAL # FREIGABE # DEBLOCAGE # AUTORIZACION # APPROVAL	
CUSTOMER APPROVAL DATE:	
NAME:	TITLE:
COMPANY NAME:	
APPROVAL # FREIGABE # DEBLOCAGE # AUTORIZACION # APPROVAL	

THIS DRAWING MAY NOT BE COPIED OR REPRODUCED IN ANY WAY, AND MAY NOT BE PASSED ON TO A THIRD PARTY WITHOUT WRITTEN PERMISSION. OWNERSHIP AND COPYRIGHT OF CONEC GmbH				tolerance ISO 2768-m		dim. in mm	
DO NOT ALTER CAD DRAWING BY HAND				date	name	scale: 2:1 (5:1)	
				drawn	12.03.2008	material: SEE NOTES	
				appd.	12.03.2008	title: D-SUB HD FEMALE 90°	
				norm		62pos. SOLDER PIN ANGLED	
				d-old		threaded insert, metal bracket, fixing plate and snap	
				a	Origin	dwg no: Inventor 10	
				rev.	description	18K1A690	
				date	name	sh: 1	
						part no: 6HDD62SAY99R40X	

scale: 2:1 (5:1)	
material: SEE NOTES	
title: D-SUB HD FEMALE 90°	
62pos. SOLDER PIN ANGLED	
threaded insert, metal bracket, fixing plate and snap	
dwg no: Inventor 10	DIN-A3
18K1A690	
sh: 1	
part no: 6HDD62SAY99R40X	



APPROVAL # FREIGABE # DEBLOCAGE # AUTORIZACION # APPROVAL	
CUSTOMER APPROVAL DATE:	
NAME:	TITLE:
COMPANY NAME:	
APPROVAL # FREIGABE # DEBLOCAGE # AUTORIZACION # APPROVAL	

THIS DRAWING MAY NOT BE COPIED OR REPRODUCED IN ANY WAY, AND MAY NOT BE PASSED ON TO A THIRD PARTY WITHOUT WRITTEN PERMISSION. OWNERSHIP AND COPYRIGHT OF CONEC GmbH

DO NOT ALTER CAD DRAWING BY HAND

rev.	description	date	name
a	Origin		

tolerance ISO 2768-m		dim. in mm	
drawn	12.03.2008	Sonnenberg	
appd.	12.03.2008	Mickenbecker	
norm			
d-old			



scale:	2:1	
material:	SEE SHEET 1	
title:	P.C.B. HOLE DRILLINGS D-SUB HD FEMALE 90° 62pos. thread insert, metal bracket, fixing-plate, hex bolt and snap	
dwg no:	Inventor 10	DIN-A3
	18K1A690	sh: 2
part no:	SEE SHEET 1	