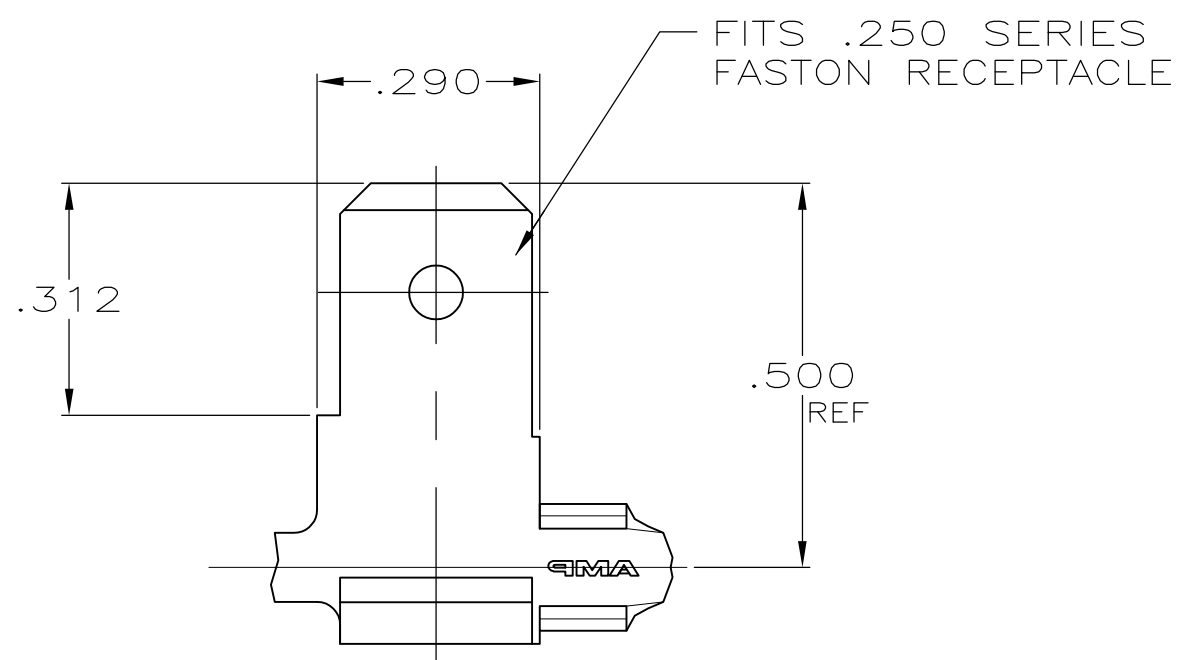
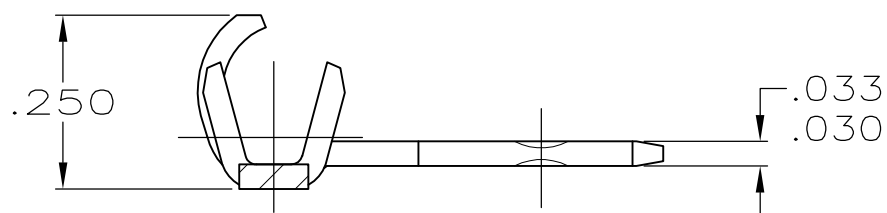
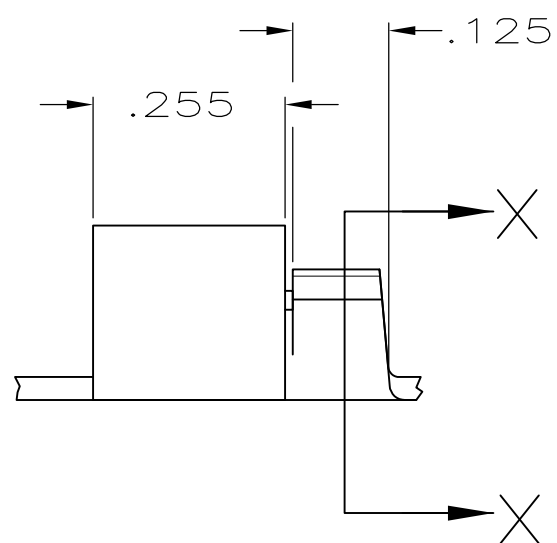
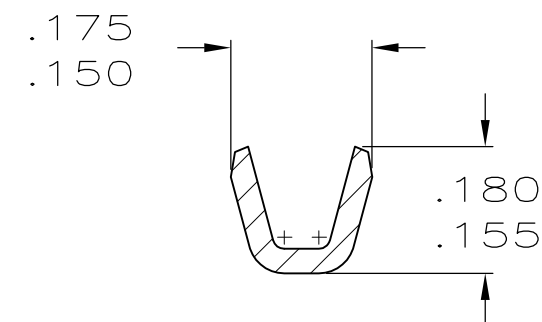


THIS DRAWING IS UNPUBLISHED. RELEASED FOR PUBLICATION
 © COPYRIGHT BY TYCO ELECTRONICS CORPORATION. ALL RIGHTS RESERVED.

LOC	DIST	REVISIONS			
P	LTR	DESCRIPTION	DATE	DWN	APVD
AF	50	K	REVISED PER ECR-10-004058	08JUN10	HMR PD



1. CONTINUOUS STRIP ON REELS
2. REVERSE REEL OF 42770-2.
3. PRELIMINARY - NOT FOR PRODUCTION.



OBSOLETE	.080-.125 DIA	#18-#14 AWG	TIN PLATE	2	42770-3
	.080-.125 DIA	#18-#14 AWG	TIN PLATE		42770-2
	.080-.125 DIA	#18-#14 AWG	-	3	42770-1
	INSULATION RANGE	WIRE RANGE	FINISH		PART NUMBER

THIS DRAWING IS A CONTROLLED DOCUMENT.		DWN M.S. FEHER 18MAR2005	Tyco Electronics Corporation Harrisburg, Pa 17105-3608		
DIMENSIONS: INCHES		CHK K.A. RANDOLPH 18MAR2005	NAME TAB, FASTON, FLAG, .250 SERIES		
TOLERANCES UNLESS OTHERWISE SPECIFIED:		APVD K.A. RANDOLPH 18MAR2005	PRODUCT SPEC -		
0 PLC ± -		APPLICATION SPEC -			
1 PLC ± -		SIZE A3			
2 PLC ± -		CAGE CODE 00779			
3 PLC ± .015		DRAWING NO C-42770			
4 PLC ± -		RESTRICTED TO -			
ANGLES ± -		SCALE 4:1			
MATERIAL #2H BRASS		FINISH TIN			
		WEIGHT -			
		CUSTOMER DRAWING			
		SHEET 1 OF 1			
		REV K			