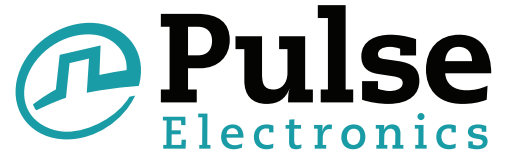


HIGH FREQUENCY BALUN ADAPTOR For SMPTE-292M HDTV



- Transforms 100Ω balanced differential signal to 75Ω, Grounded unbalanced signal
- Designed for SMPTE-292M HDTV application at 1.485GBs data rate
- Operating Temperature: -55°C to +125°C**

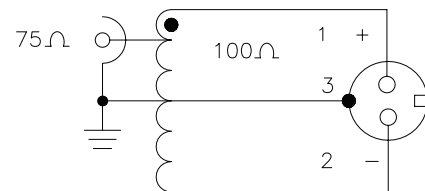
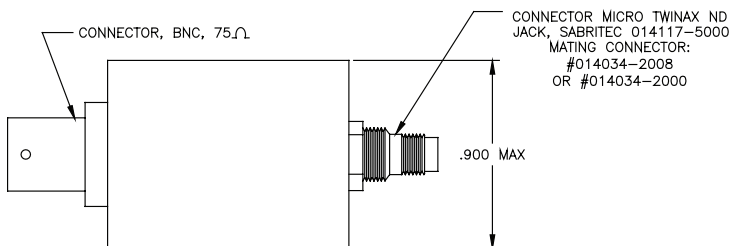
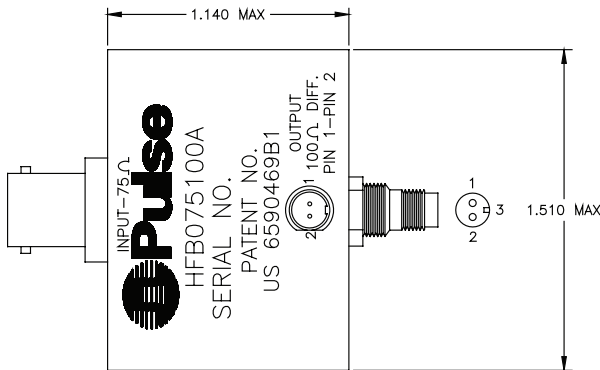
Characteristics				
Part Number ¹	Impedance Unbalanced	Impedance Balanced	Insertion Loss db MAX. 1.485 GBs	Jitter Dj pSec. Max. 1.485 GBs, PN7
HFB075100A	75	100	-2.0	110.0
HFB075100B	75	100	-2.0	110.0

Notes: 1. A mountable version is available. Ordering part numbers: HFBL075100A or HFBL075100B. For a more robust, ruggedized version consult datasheet M147.

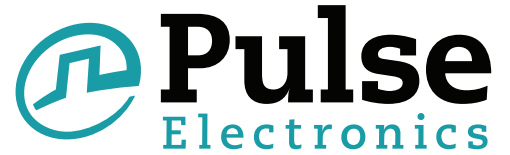
Mechanical

Schematic

HFB075100A



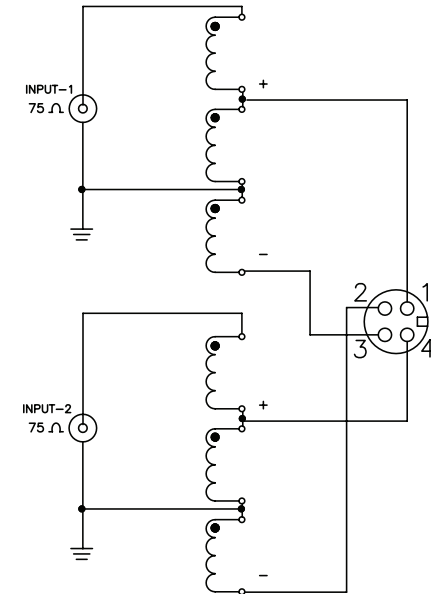
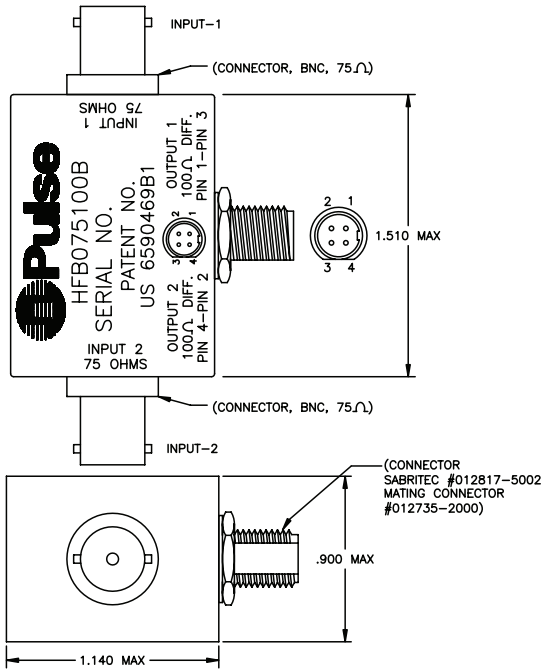
HIGH FREQUENCY BALUN ADAPTOR For SMPTE-292M HDTV



Mechanical

Schematic

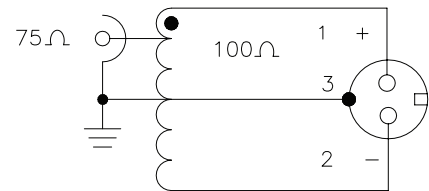
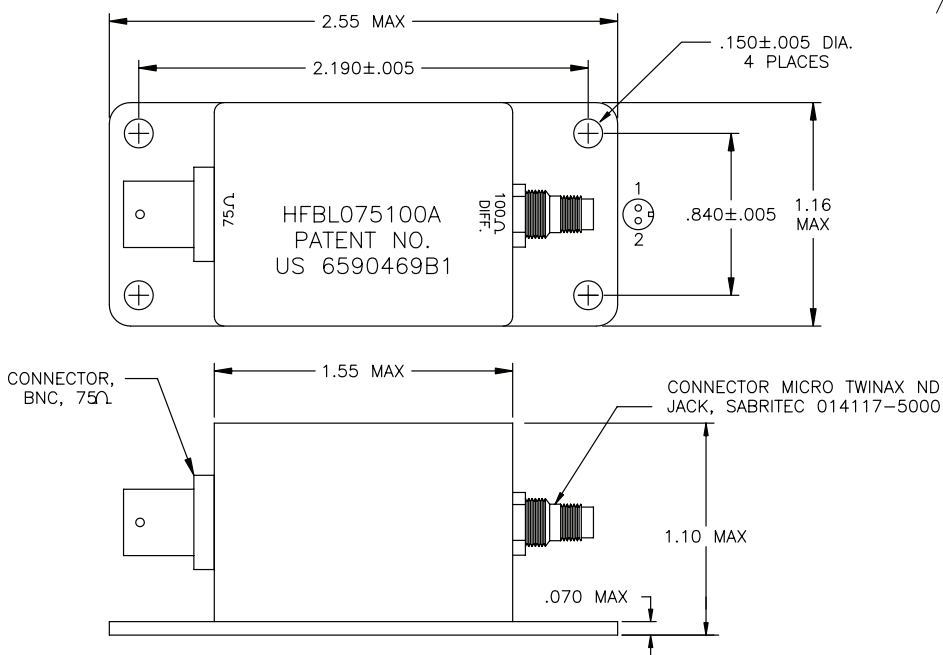
HFB075100B



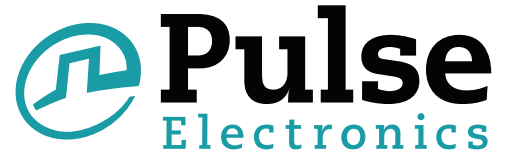
Mechanical

Schematic

HFB075100A



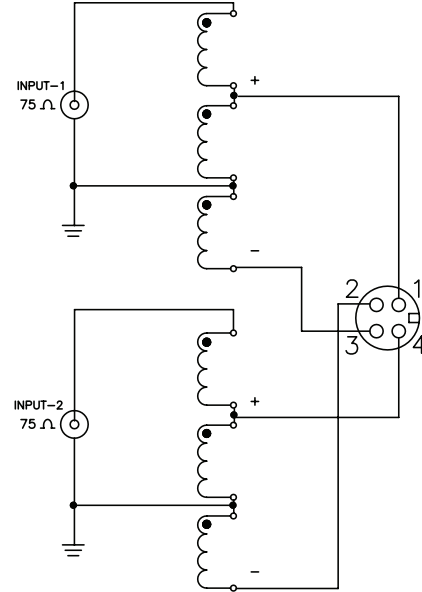
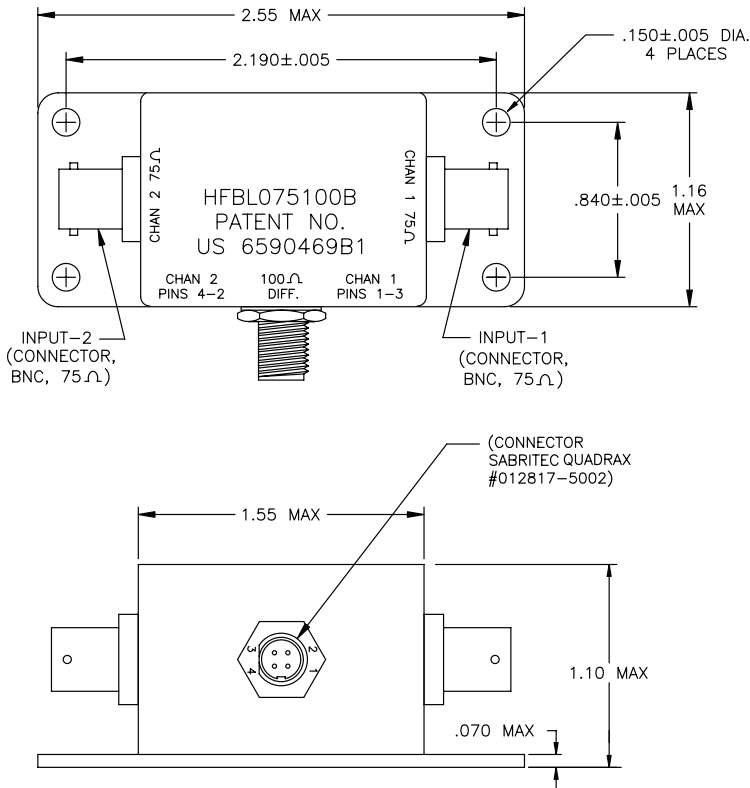
HIGH FREQUENCY BALUN ADAPTOR For SMPTE-292M HDTV



Mechanical

Schematic

HFBL075100B



For More Information:

Pulse Worldwide Headquarters
Two Pearl Buck Court
Bristol, PA 19007
U.S.A.

Pulse Europe
Zeppelinstrasse 15
D-71083 Herrenberg
Germany

Pulse China Headquarters
B402, Shenzhen Academy of
Aerospace Technology Bldg.
10th Kejian Rd.
High-Tech Zone
Nanshan District
Shenzen, PR China 518057
Tel: 86 755 33966678
Fax: 86 755 33966700

Pulse North China
Room 1503
XinYin Building
No. 888 YiShan Rd.
Shanghai 200233
China
Tel: 86 21 54643211/2
Fax: 86 21 54643210

Pulse South Asia
135 Joo Seng Rd.
#03-02
PM Industrial Bldg.
Singapore 368363
Tel: 65 6287 8998
Fel: 65 6280 0080

Pulse North Asia
No. 26, Kao Ching Rd.
Yang Mei Chen
Taoyuan Hsien
Taiwan
R. O. C.
Tel: 886 3 4643715
Fax: 886 3 4641911

Tel: 215 781 6400
Fax: 215 781 6403

Tel: 49 7032 7806 0
Fax: 49 7032 7806 135

Performance warranty of products offered on this data sheet is limited to the parameters specified. Data is subject to change without notice. Other brand and product names mentioned herein may be trademarks or registered trademarks of their respective owners. Pulse and the Squarewave logo are trademarks of Pulse Electronics Corporation, registered in the U.S. and other countries. © Copyright, 2010. Pulse Electronics Corporation. All rights reserved.