

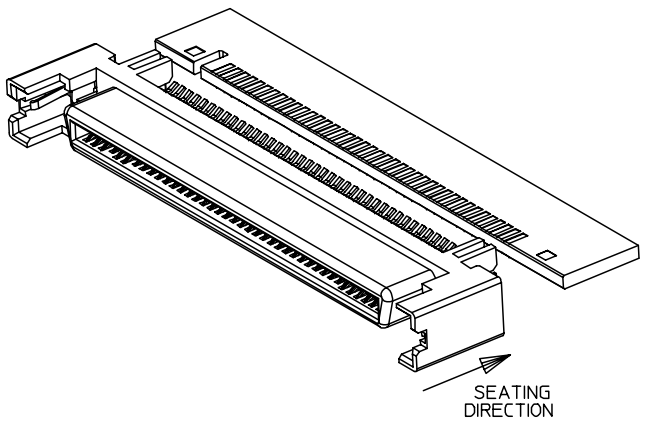
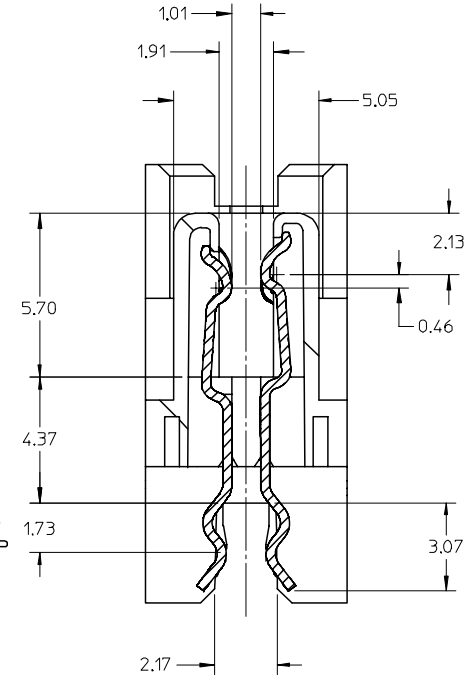
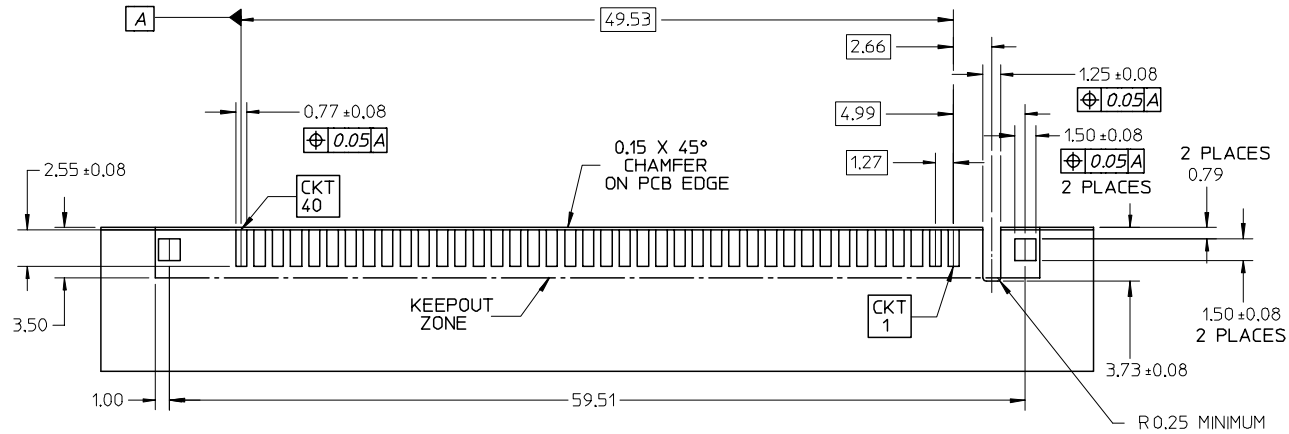
NOTES:

- 1) MATERIAL:
HOUSING - HIGH TEMPERATURE NYLON, UL94, V-0, BLACK
TERMINALS - COPPER ALLOY
ESD METAL TERMINAL - COPPER ALLOY
- 2) PLATING:
TERMINALS:
0.76 MICROMETER MINIMUM SELECT GOLD AND
2.54 MICROMETER MINIMUM SELECT TIN OVER
1.27 MICROMETER MINIMUM NICKEL OVERALL

ESD TERMINALS:
3.81 MICROMETER MINIMUM TIN OVER
1.27 MICROMETER MINIMUM NICKEL OVERALL
- 3) CONFORMS TO PRODUCT SPECIFICATION PS-73826-0000.
- 4) CIRCUIT NUMBERS 1, 36 THRU 43, 45, 46, AND 75 THRU 80, ARE ADVANCED TERMINALS FOR SEQUENTIAL MATING.
- 5) PACKAGED IN TRAYS PER PK-70873-5025.

EC NO: UCP2004-2038 DRWN: RLWHITE 2004/09/17 CHKD: BBARKER 2004/09/22 APPR: SMILLER 2004/10/05	QUALITY SYMBOLS ▽ = 0 ▽ = 0	GENERAL TOLERANCES (UNLESS SPECIFIED)		SCALE 3:1	DESIGN UNITS METRIC	THIRD ANGLE PROJECTION	REVISE ON CAD ONLY		
		4 PLACES ± --- ± ---	3 PLACES ± --- ± ---	DIMENSION STYLE MM ONLY		TITLE 80 CKT STRADDLEMOUNT SCA2 SALES DRAWING FOR 1.83MM THICK PCB			
		2 PLACES ± 0.13 ± ---	1 PLACE ± 0.25 ± ---	ANGULAR ± 1/2°		DRAWN BY RWHITE	DATE 4/16/2004	MOLEX INCORPORATED	
		DRAFT WHERE APPLICABLE MUST REMAIN WITHIN DIMENSIONS		APPROVED BY SMILLER	DATE 4/16/2004	MATERIAL NO. 750830280	DOCUMENT NO. SD-75083-002	SHEET NO. 1 OF 2	

RECOMMENDED PCB LAYOUT
 RECOMMENDED PCB THICKNESS: 1.83 +/-0.18 mm



EC NO: UCP2004-2038 DRWN: RLWHITE 2004/09/17 CHKD: BBARKER 2004/09/22 APPR: SMILLER 2004/10/05	QUALITY SYMBOLS	GENERAL TOLERANCES (UNLESS SPECIFIED)		SCALE 3:1	DESIGN UNITS METRIC	THIRD ANGLE PROJECTION	REVISE ON CAD ONLY
	DESCRIPTION ▽ = 0 ▽ = 0		mm	INCH	DIMENSION STYLE MM ONLY		TITLE 80 CKT STRADDLEMOUNT SCA2 SALES DRAWING FOR 1.83MM THICK PCB
		4 PLACES	± ---	± ---	DRAWN BY RWHITE	DATE 4/16/2004	
		3 PLACES	± ---	± ---	CHECKED BY BBARKER	DATE 4/16/2004	
2 PLACES	± 0.13	± ---	APPROVED BY SMILLER	DATE 4/16/2004	MATERIAL NO. 750830280	DOCUMENT NO. SD-75083-002	
		1 PLACE	± 0.25	± ---	MOLEX INCORPORATED		
		ANGULAR ± 1/2°		THIS DRAWING CONTAINS INFORMATION THAT IS PROPRIETARY TO MOLEX INCORPORATED AND SHOULD NOT BE USED WITHOUT WRITTEN PERMISSION			
		DRAFT WHERE APPLICABLE					
		MUST REMAIN WITHIN DIMENSIONS					