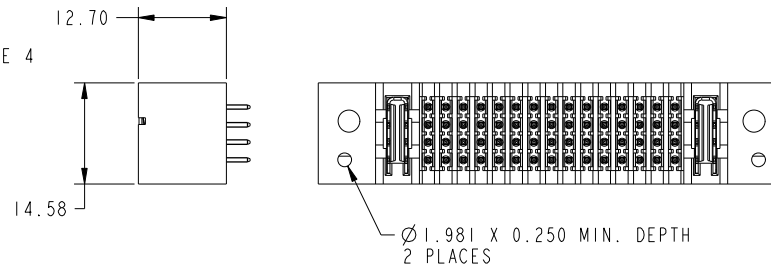
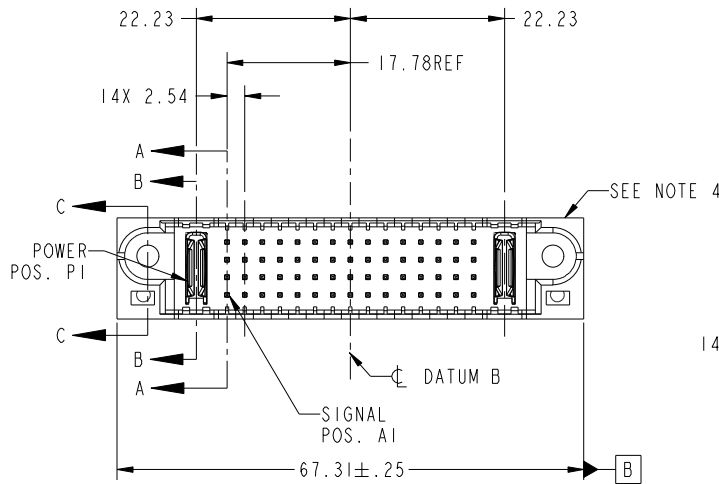


Tous droits strictement réservés. Reproduction ou communication a des tiers interdite sous quelque forme que ce soit sans autorisation écrite du propriétaire. Propriété de c FCI. Droits de reproduction FCI.

All rights strictly reserved. Reproduction or issue to third parties in any form whatever is not permitted without written authority from the proprietor. Property of FCI. Copyright FCI.



PRODUCT NO.	ROWS	PWR		SIGNAL											PWR					
		E1	P1	1	2	3	4	5	6	7	8	9	10	11	12	13	14	15	P2	E2
51970-004... NOTE 3	D C B A																			



CODE	DIM "M" MATING LENGTH	CONTACT TYPE
E	[6.86]	SIGNAL
PA	[N/A]	POWER

mat'l code				SEE NOTE		tolerances unless otherwise specified		CUSTOMER		FCI	
ltr	ecn no.	dr	date	linear	0.X ± 0.5	projection		COPY		www.fciconnect.com	
A	V04-1052	TAB	11/02/04		0.XX ± 0.25	MIM		title		IP + 60S + IP VERTICAL SOLDER HEADER	
B	DG05-0450	Ryon	11/15/05	angles	0.XXX ± 0.10	scale		product family		PwrBlade code	
C	DG07-0498	JW	09/12/08		0° + 2°	1:1		size		213	
				dr	T. BRUNGARD	11/02/04		dwg no		51970-004	
				enr	M. GRAY	11/02/04		sheet		1 of 4	
				chr	M. GRAY	11/02/04		cage code		22526	
				appd	M. GRAY	11/02/04					
sheet index	revision sheet	C 1	C 2	C 3	C 4						

Pro/E

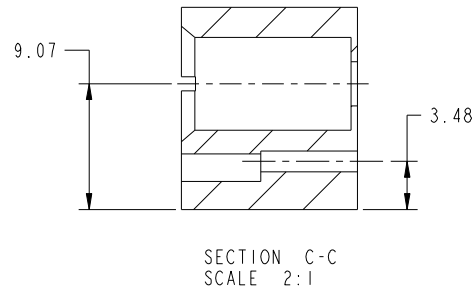
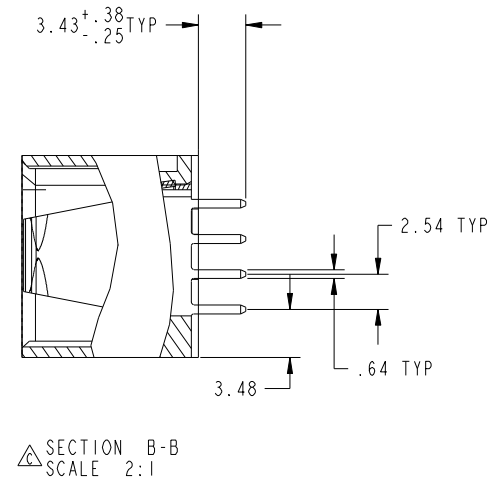
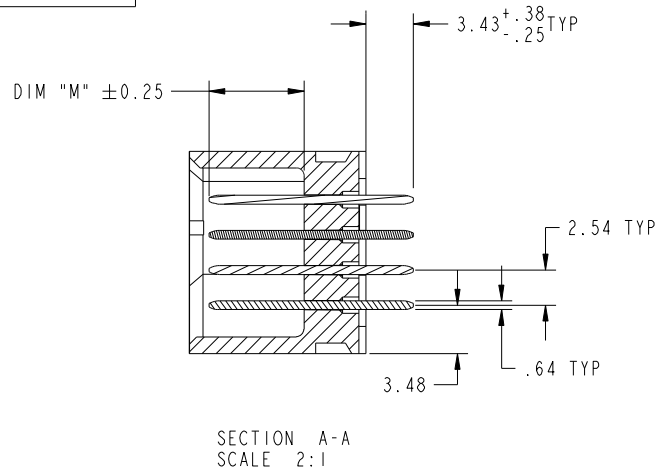
cage code 22526

Tous droits strictement reserves. Reproduction ou communication a des tiers interdite sous quelque forme que ce soit sans autorisation écrite du propriétaire. Propriete de c FCI. Droits de reproduction FCI.



All rights strictly reserved. Reproduction or issue to third parties in any form whatever is not permitted without written authority from the proprietor. Property of FCI. Copyright FCI.

PRODUCT NUMBER
51970-004_-
NOTE: 3



mat'l code		SEE NOTE		tolerances unless otherwise specified		CUSTOMER		www.fciconnect.com	
ltr	ecn no.	dr	date	linear	0.X ±0.5	COPY		title	
c					0.XX ±0.25	projection		IP + 60S + IP VERTICAL SOLDER HEADER	
				angles	0.XXX ±0.10			product family	
				dr	0° +2°			PwrBlade	
				enr	T. BRUNGARD 11/02/04	scale		code	
				chr	M. GRAY 11/02/04	1:1		213	
				appd	M. GRAY 11/02/04	A		sheet	
sheet index		revision sheet						2	

cage code 22526

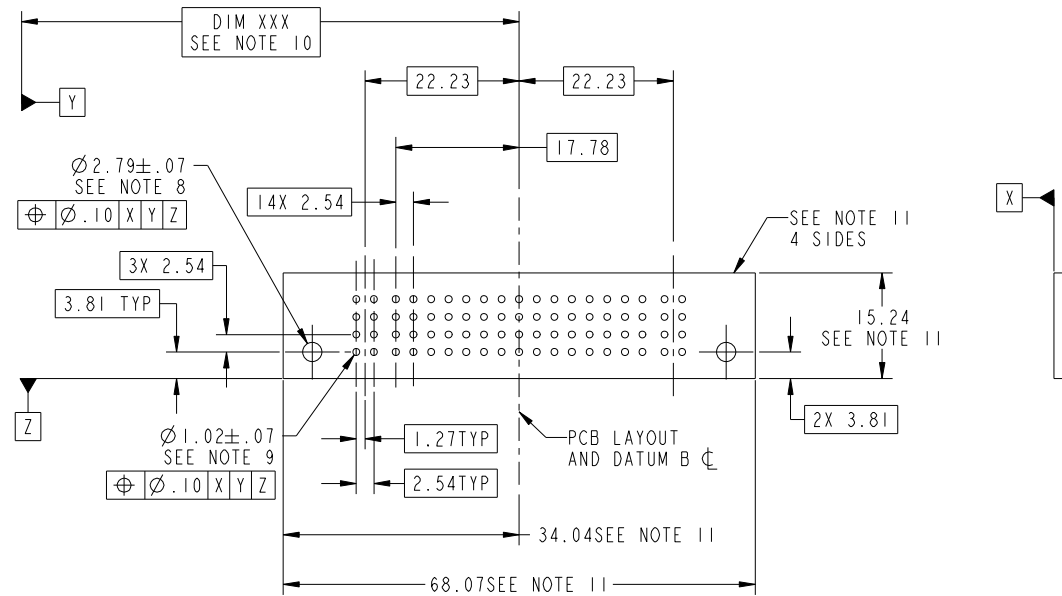
Pro/E

Tous droits strictement reserves. Reproduction ou communication a des tiers interdite sous quelque forme que ce soit sans autorisation écrite du propriétaire. Propriete de c FCI. Droits de reproduction FCI.



All rights strictly reserved. Reproduction or issue to third parties in any form whatever is not permitted without written authority from the proprietor. Property of FCI. Copyright FCI.

PRODUCT NUMBER
51970-004--
NOTE: 3



mat'l code		SEE NOTE		tolerances unless otherwise specified		CUSTOMER		www.fciconnect.com	
ltr	ecn no.	dr	date	linear	0.X ± 0.5	COPY		title	
C					0.XX ± 0.25	projection		IP + 60S + IP VERTICAL SOLDER HEADER	
				angles	0.XXX ± 0.10			product family PwrBlade code	
				dr	0° + 2°	MIM		213	
				enr	T. BRUNGARD 11/02/04			size dwg no	
				chr	M. GRAY 11/02/04	scale		A 51970-004	
				appd	M. GRAY 11/02/04	1:1		sheet	
sheet index		revision sheet						3	

cage code 22526

Pro/E

Tous droits strictement reserves. Reproduction ou communication a des tiers interdite sous quelque forme que ce soit sans autorisation écrite du propriétaire. Propriete de c FCI. Droits de reproduction FCI.



All rights strictly reserved. Reproduction or issue to third parties in any form whatever is not permitted without written authority from the proprietor. Property of FCI. Copyright FCI.

A

B

PRODUCT NUMBER
51970-004_- NOTE: 3

NOTES:

1. DIMENSIONS AND TOLERANCES ARE IN ACCORDANCE WITH ASME Y14.5M, 1994 UNLESS OTHERWISE SPECIFIED.

CONNECTOR NOTES:

2 HOUSING MATERIAL: UL 94 V-0 GLASS FILLED HIGH-TEMP THERMOPLASTIC
POWER CONTACT MATERIAL: COPPER ALLOY
SIGNAL PIN MATERIAL: COPPER ALLOY

3. PLATING:
SEE ITEM 1 & 2 IN PRINT 10064183 FOR PLATING SPEC OF 51970-004; 51970-004LF RESPECTIVELY

4 MANUFACTURER'S NAME, P/N, AND DATE CODE TO APPEAR ON THIS SURFACE.

5. PRODUCT SPECIFICATION GS-12-149.
APPLICATION SPECIFICATION BUS-20-067.

6. PACKAGED IN TRAYS.

PCB NOTES:

7. ALL HOLE DIAMETERS ARE FINISHED HOLE SIZE.

8. MOUNTING HOLES, WHERE APPLICABLE, ARE UNPLATED.

9 $\varnothing 1.151 \pm 0.025$ DRILLED HOLES PLATED WITH)
0.008 MIN SnPb OR Sn OVER 0.03
TO 0.08 Cu PLATING TO ACHIEVE
 $\varnothing 1.02 \pm 0.07$ HOLE.

10 "DIM XXX" TO BE DETERMINED BY THE CUSTOMER.

11 CONNECTOR KEEP-OUT ZONE.

12. A \triangle SYMBOL WILL BE NEXT TO ANY DIMENSION, VIEW, OR NOTE WHICH HAS BEEN MODIFIED WITH THE CURRENT DRAWING REVISION.

mat'l code				SEE NOTE		tolerances unless otherwise specified		CUSTOMER		www.fciconnect.com	
ltr	ecr no.	dr	date	linear	0.X ± 0.5		COPY			title	
C					0.XX ± 0.25		projection			IP + 60S + IP VERTICAL SOLDER HEADER	
					0.XXX ± 0.10					product family PwrBlade code	
				angles	0° + 2°		scale		size		
				dr	T. BRUNGARD	11/02/04	1:1		dwg no		
				enr	M. GRAY	11/02/04	A		51970-004		
				chr	M. GRAY	11/02/04			sheet		
				appd	M. GRAY	11/02/04			4		
sheet index		revision sheet									

A

B

1 | 2

3 |

4

1 | 2

Pro/E

3 |

cage code 22526

4