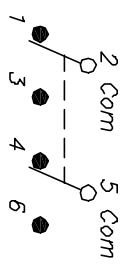
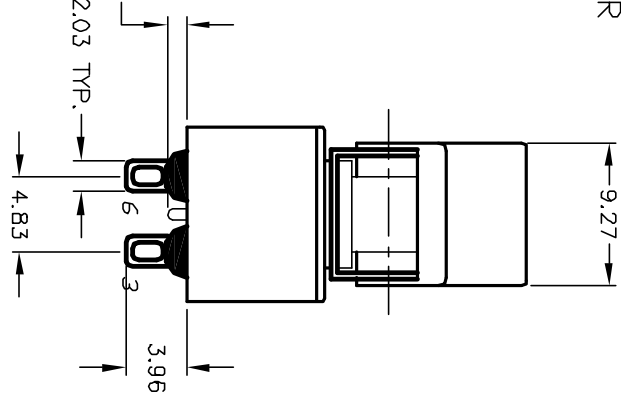
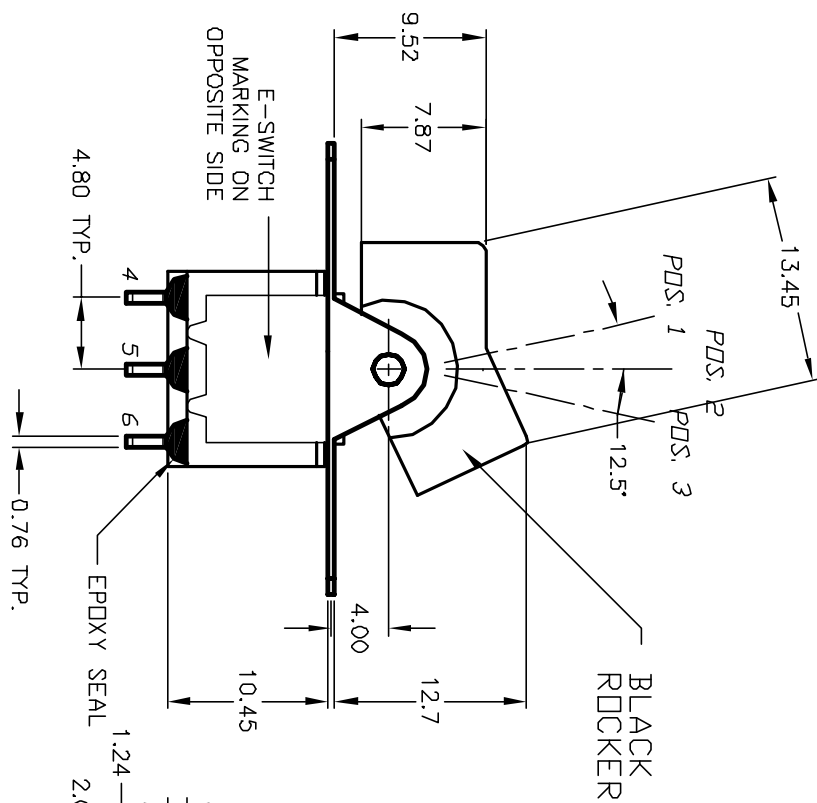


*BOTTOM VIEW
BRACKET CROPPED
FOR CLARITY*

PANEL THICKNESS

* DIMENSION IS 15.75/15.88
FOR PANEL THICKNESS BETWEEN
1.52mm TD 3.18mm

RECOMMENDED PANEL MOUNTING



SWITCH FUNCTION		
POS. 1	POS. 2	POS. 3
DN	OFF	DN
2-3,5-6	OPEN	2-1,5-4

NOTES:

1. ALL DIMENSIONS IN MM [INCH]
2. GENERAL TOLERANCE: X.X=±0.4
X.XX=±0.25
3. TERM. NOS. FOR REF. ONLY
4. RATING: 0.4VA max. @20V AC or DC. max.
5. MATERIAL: FIXED TERMINAL & MOVING CONTACT:
Copper Alloy w/GOLD Plate
over Nickel plate
6. CONTACT RESISTANCE: 10mILLI Ohms max initial
@2-4VDC, 100mA for AG & AU
7. ELECTRICAL LIFE: 50,000 make-and-break
cycles at full load.
8. INSULATION RESISTANCE: 1,000M ohm min.
9. DIELECTRIC STRENGTH: 1000V RMS @sea level
10. OPERATING TEMP.: -30°C to 85°C

E-SWITCH®

REV. B		12032		REVISED AND REDRAWN		4/3/02		CB	
REV. A		ECN No.		DESCRIPTION		DATE		CHKD	
TITLE: 300 DP-3 R1 BLK M1 R E (GOLD CONTACTS) SCALE: 2:1 DATE: 4/3/02 DR: CB DWG: T324000 REV: B									
THE INFORMATION CONTAINED IN THIS DOCUMENT IS PROPRIETARY TO E-SWITCH AND IS NOT TO BE COPIED OR TRANSMITTED									