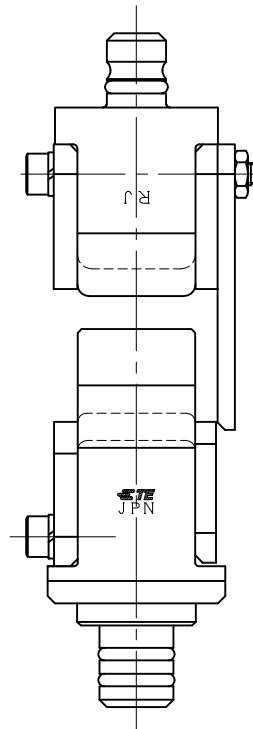
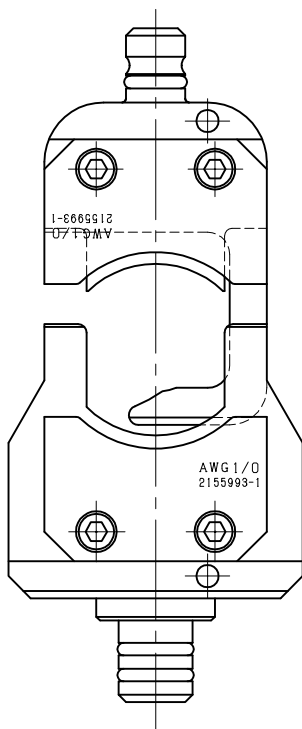


LOC J	DIST —	REVISIONS			
P	LTR	DESCRIPTION	DATE	DWN	APVD
	A	RELEASED	05NOV2013	S.N	J.K

PART NUMBER	WIRE RANGE	TERMINAL	REMARKS
2155993-1	AWG 1/0	TERMINYL	TE REC-Li250M




RELEASED FOR PUBLICATION

ALL RIGHTS RESERVED.

Tyco Electronics Japan G.K.

© COPYRIGHT

THIS DRAWING IS UNPUBLISHED.

DIMENSIONS: mm  TOLERANCES UNLESS OTHERWISE SPECIFIED:  0 PLC ± - 1 PLC ± - 2 PLC ± - 3 PLC ± - 4 PLC ± - ANGLES ± -	DWN S.NAKA 05NOV2013	MATERIAL -	FINISH -
	CHK S.NAKA 05NOV2013	 TE Connectivity	
APVD J.KOGA 05NOV2013	NAME DIES, TE REC-Li250M, TERMINYL, AWG 1/0		
PRODUCT SPEC -	SIZE A4	CAGE CODE 00779	DRAWING NO C-2155993
APPLICATION SPEC -	CUSTOMER DRAWING		RESTRICTED TO -
WEIGHT Approx. 295g	SCALE -	SHEET 1 of 1	REV A

