

4

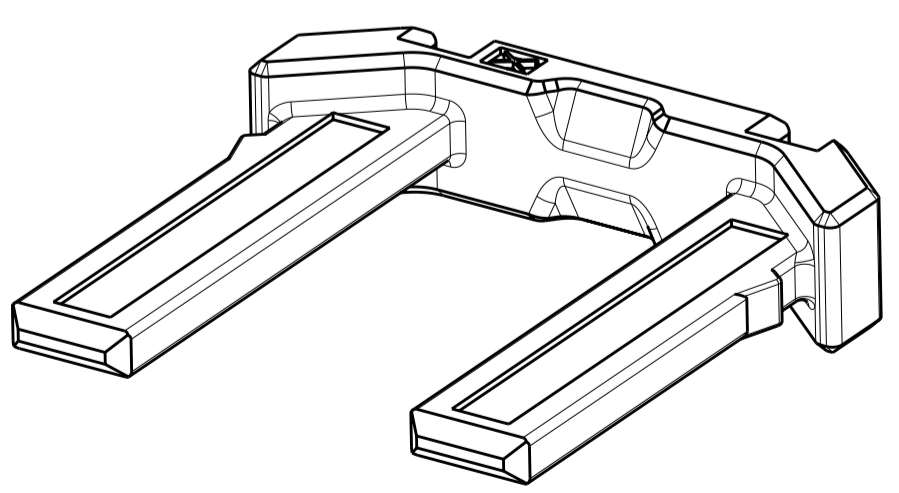
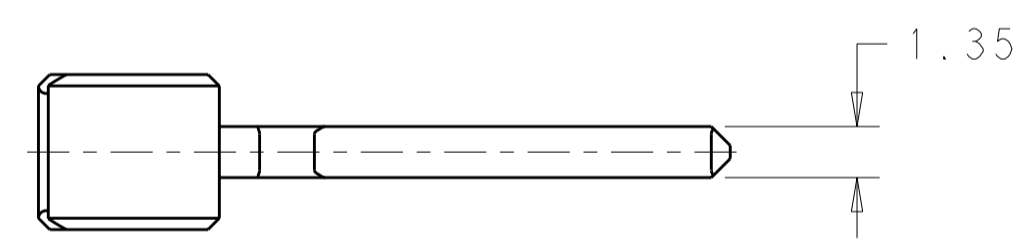
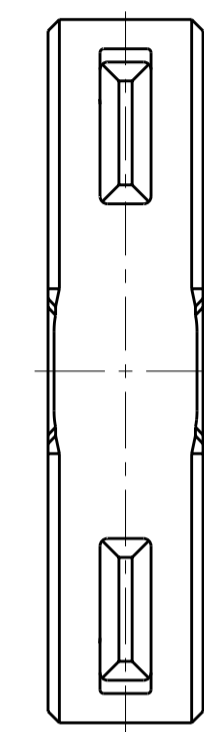
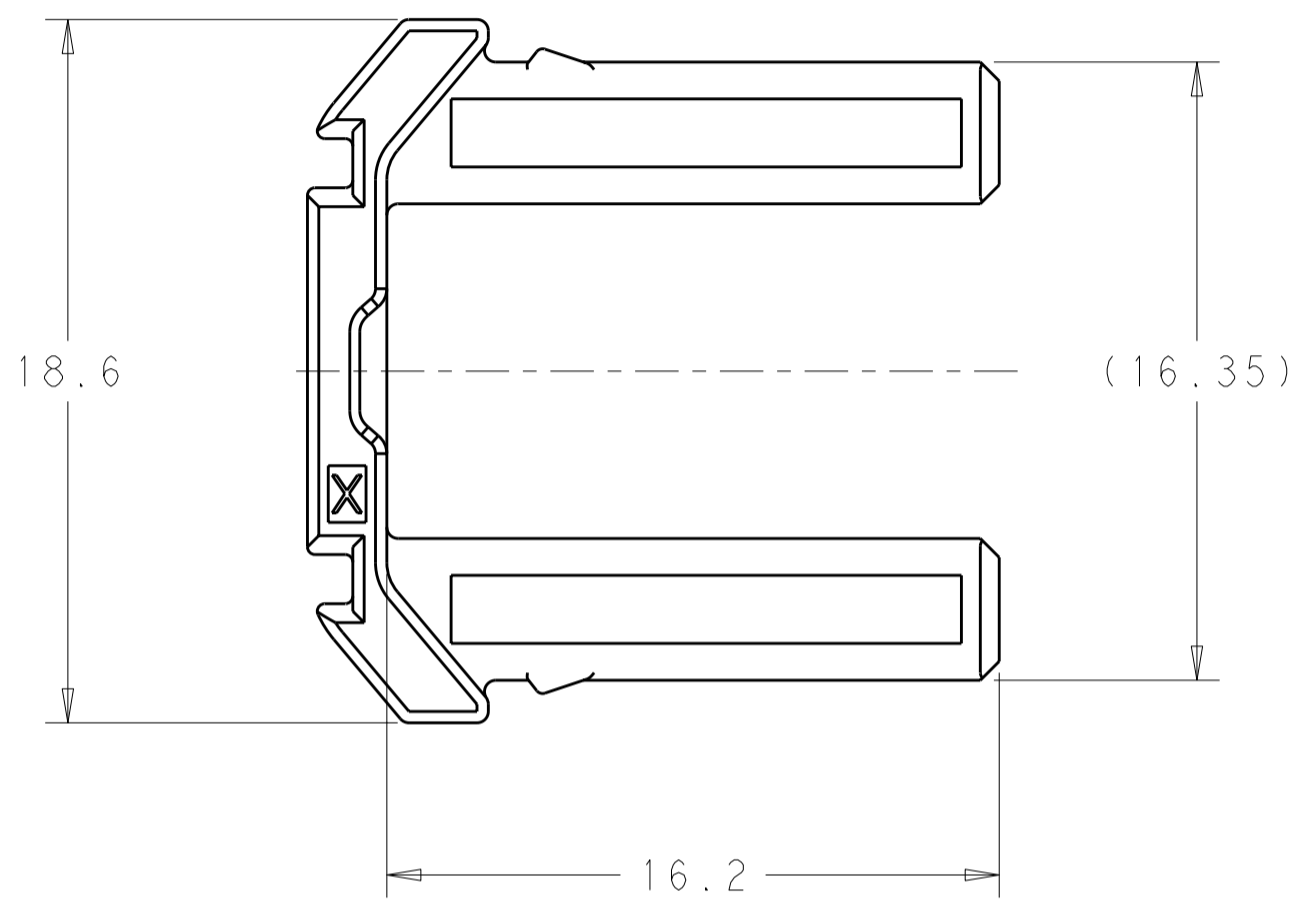
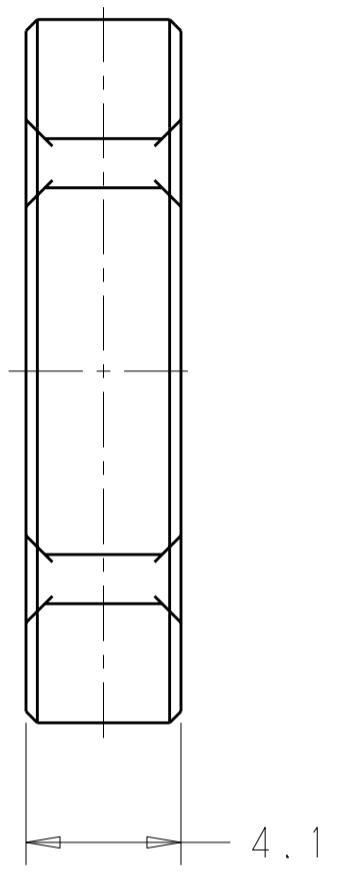
3

2

1


THIS DRAWING IS UNPUBLISHED. RELEASED FOR PUBLICATION 20  
 © COPYRIGHT 20 ALL RIGHTS RESERVED.

LOC	DIST	REVISIONS				
P	LTR	DESCRIPTION	DATE	DWN	APVD	
		A	RELEASED PER ECO-12-001655	30JAN2012	AJV	AJV
		B	REV PER ECR-12-008046	01MAY2012	MBH	AV



- 1. MATERIAL: NYLON 6/6, 35% GLASS FILLED, COLOR: NATURAL
- 2. DELIVERY CONDITION: LOOSE PIECE, BULK PACKAGED.

2138417-1  
PART NUMBER

THIS DRAWING IS A CONTROLLED DOCUMENT.		DWN M. HARISH 25FEB2011	 TE Connectivity	
DIMENSIONS: mm		CHK A. J. VASBINDER 25FEB2011		
TOLERANCES UNLESS OTHERWISE SPECIFIED:		APVD A. J. VASBINDER 25FEB2011	NAME	
0 PLC ±0 1 PLC ±0.3 2 PLC ±0.1 3 PLC ±0.05 4 PLC ±0.0 ANGLES ±1° FINISH		PRODUCT SPEC	SECONDARY LOCK MCP CONTACTS	
MATERIAL		APPLICATION SPEC	SIZE	RESTRICTED TO
		WEIGHT	A200779C-2138417	-
		CUSTOMER DRAWING	SCALE 5:1	SHEET 1 OF 1 REV B